

**PARTS LIST FOR**  
**D503K 5+3HO**  
**&**  
**D500K 5+3**

## D503K 5+3 & D500K 5+3

### For Code: 10748, 10569 & C1260710137

Do Not use this Parts List for a machine if its code number is not listed. Contact the Service Department for any code numbers not listed.

Use the Illustration of Sub-Assemblies page and the table below to determine which sub assembly page and column the desired part is located on for your particular code machine.

Sub Assembly Item No. <span style="font-size: small;">↔</span>									
SUB ASSEMBLY PAGE NAME <span style="font-size: small;">↔</span>	Miscellaneous Items	General Assembly	Generator - Alternator Assembly	Upper Control Panel Assembly	Cross Reference List				
PAGE NO. <span style="font-size: small;">→</span>	P378-B.2	P378-C	P378-D	P378-E	P378-F				
CODE NO. <span style="font-size: small;">↓</span>									
10748	1	1	1	1	1				
10569	2	2	2	2	1				
C1260710137	2	2	2	2	1				



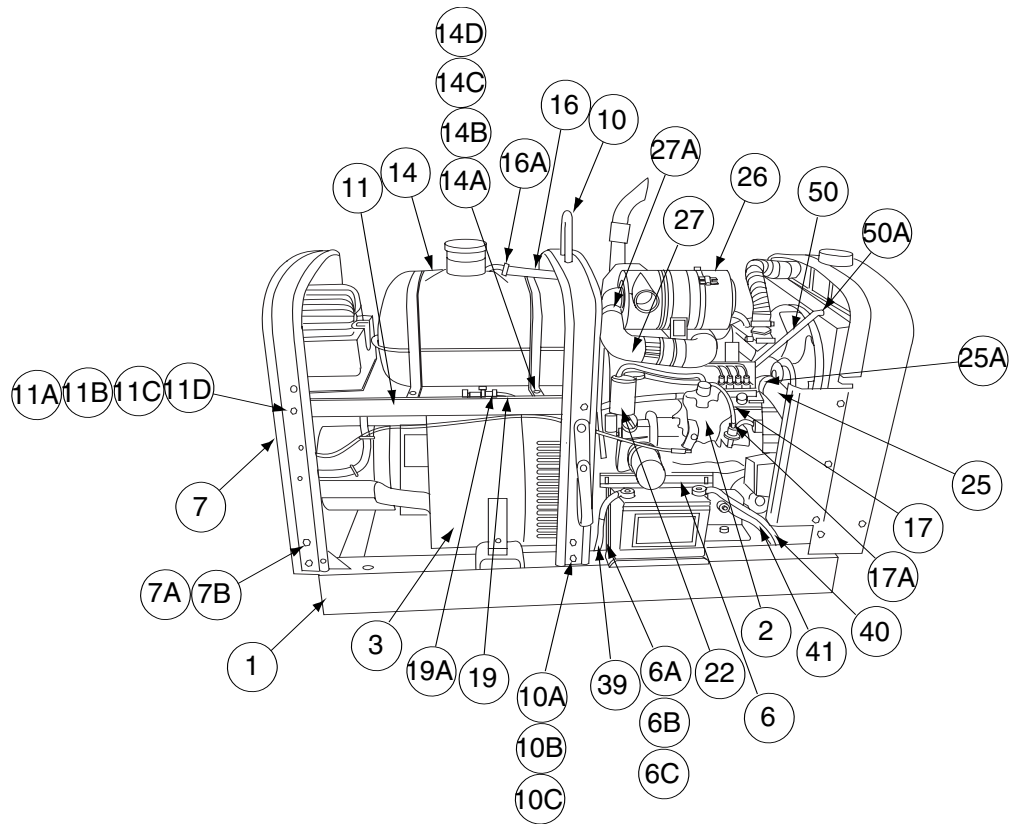
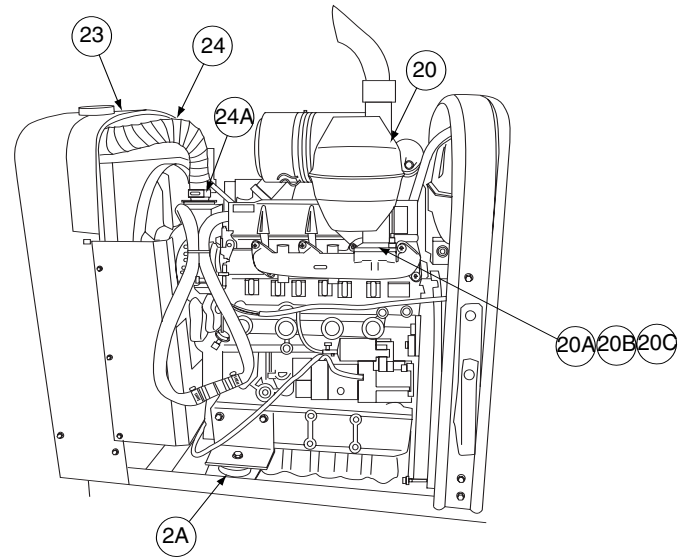
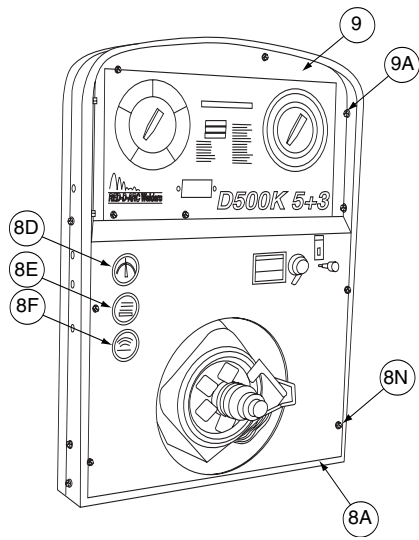
# Indicates a change this printing.

Use only the parts marked "x" in the column under the heading number called for in the model index page.

DESCRIPTION	PART NO.	QTY.	1	2	3	4	5	6	7	8	9
Welder & Engine Wiring Diagram	M19626	1	X	•							
Welder & Engine Wiring Diagram	N/A	1	•	X							



# General Assembly



# Indicates a change this printing.

Use only the parts marked "x" in the column under the heading number called for in the model index page.

ITEM	DESCRIPTION	PART NO.	QTY.	1	2	3	4	5	6	7	8	9
1	Base Welded Assembly	L11471	1	X	•							
1	Base Welded Assembly	N/A	1	•	X							
2	Engine Mounting	M8859-83	1	X	•							
2	Engine Mounting	N/A	2	•	X							
3	Generator Assembly	See P378-D	1	X	X							
3A	Generator Mounting (Not Shown)	M8859-84	2	X	•							
3A	Generator Mounting (Not Shown)	N/A	2	•	X							
3B	Hex Head Cap Screw (Not Shown)	T8833-33	4	X	X							
3C	Lock Washer (Not Shown)	E106A-5	4	X	X							
4	Blower Segment Assembly (Not Shown)	M10840	4	X	X							
4A	Hex Head Cap Screw	T8833-1	8	X	X							
4B	Lock Washer	E106A-8	8	X	X							
5A	Coupling Ring (Outside) (Not Shown)	S14232	1	X	X							
5B	Coupling Clamp Ring (Inside) (Not Shown)	S14233	1	X	X							
5C	Coupling Disc (Not Shown)	M6730	1	X	X							
5D	Disc Backing Plate (Not Shown)	S8042	2	X	X							
5E	Hex Head Cap Screw (Not Shown)	T8833-2	8	X	X							
5F	Lock Washer (Not Shown)	E106A-8	8	X	X							
6	Battery Clamping Bracket	S24934	1	X	•							
6	Battery Clamping Bracket	S12128	1	•	X							
6A	5/16-18 x 9.25 Hex Head Cap Screw	T8833-80	2	X	•							
6A	1/4-20x9.50 Carriage Bolt	T11827-65	2	•	X							
6B	5/16 Plain Washer	S9262-30	2	X	•							
6C	5/16 Lock Washer	E106A-14	2	X	•							
6C	1/4 Lock Washer	E106A-2	2	•	X							
6D	1/4-20 HHN	CF000017	2	•	X							
7	Rear Support Assembly	M8237-7	1	X	X							
7A	Thread Forming Screw	S9225-28	4	X	X							
7B	Lock Washer	T9860-4	4	X	X							
8	Rear Lower Panel Assembly, Includes:	L11472	1	X	•							
8	Rear Lower Panel Assembly, Includes:	N/A	1	•	X							
8A	Rear Lower Panel	M19676	1	X	•							
8A	Rear Lower Panel	M18739	1	•	X							
8B	Meter Guard (Not Shown)	M16240-2	1	X	X							
8C	Self Tapping Screw (Not Shown)	S8025-92	2	X	X							
8D	Ammeter	S7514-4	1	X	X							
8E	Hour Meter	S17475-5	1	X	X							
8F	Temperature Gauge	M19618-36 Ω	1	X	X							
8G	Starter Switch (Not Shown)	M19618-49 Ω	1	X	X							
8H	Relay - Denso (Not Shown)	M19618-66 Ω	1	X	•							
8J	1/4-20 x .625 Hex Head Screw (Not Shown)	CF000013	1	X	•							
8K	1/4-20 Hex Nut (Not Shown)	CF000017	1	X	•							
8L	1/4 Plain Washer (Not Shown)	S9262-23	1	X	•							
8M	1/4 Lock Washer (Not Shown)	E106A-2	1	X	•							
8N	Thread Forming Screw	S9225-26	4	X	•							
9	Upper Control Panel Assembly	See P378-E	1	X	X							
9A	Thread Forming Screw	S9225-26	5	X	X							



# Indicates a change this printing.

Use only the parts marked "x" in the column under the heading number called for in the model index page.

ITEM	DESCRIPTION	PART NO.	QTY.	1	2	3	4	5	6	7	8	9
10	Lift Bale Assembly	M19684	1	X	X							
10A	Hex Head Cap Screw	T8833-24	4	X	X							
10B	Lock Washer	E106A-5	4	X	X							
10C	1/2-13 Hex Nut	CF000027	4	X	X							
11	Fuel Tank Rail	M19620	1	X	•							
11	Fuel Tank Rail	N/A	1	•	X							
11A	5/16-18 Hex Nut	CF000029	2	X	X							
11B	Thread Forming Screw	S9225-22	2	X	X							
11C	Lock Washer	T9860-3	2	X	X							
11D	Plain Washer	S9262-30	1	X	X							
12	Control Panel Guard Assembly (Not Shown)	M19689	1	X	X							
	1/4-20 x .625 Hex Head Cap Screw (Not Shown)	CF000013	2	X	X							
13	Output Rail Assembly, Includes: (Not Shown)	M19674	1	X	•							
13	Output Rail Assembly, Includes: (Not Shown)	N/A	1	•	X							
13A	Output Rail	M19621	1	X	•							
13A	Output Rail	N/A	1	•	X							
13B	Output Terminal Assembly	T14166-9	2	X	X							
13C	Remote/Local Receptacle Assembly	M19625	1	X	•							
13C	Remote/Local Receptacle Assembly	N/A	1	•	X							
13D	Thread Forming Screw	S9225-8	2	X	X							
	5/16 -18 Hex Nut (Not Shown)	CF000029	2	X	X							
	Thread Forming Screw (Not Shown)	S9225-22	2	X	X							
	Lock Washer (Not Shown)	T9860-3	2	X	X							
	Plain Washer (Not Shown)	S9262-30	1	X	X							
	1/2-13 x .75 Hex Head Cap Screw (Not Shown)	CF000020	2	X	X							
14	Fuel Tank Assembly	L3398-19	1	X	X							
14A	3/8-16x2.00 Hex Head Cap Screw	CF000071	4	X	X							
14B	Plain Washer	S9262-120	8	X	X							
14C	Lock Washer	E106A-4	4	X	X							
14D	3/8-16 Hex Nut	CF000067	4	X	X							
15	Fuel Tank Gasket (Not Shown)	S10437-A	1	X	X							
16	Fuel Return Line	T10642-246	1	X	X							
16A	Hose Clamp	S10888-35	2	X	X							
17	Flex Tube (In-Line Filter to Fuel Pump)	T10642-52	1	X	•							
17	Flex Tube (In-Line Filter to Fuel Pump)	T10642-269	1	•	X							
17A	Hose Clamp	S10888-35	2	X	X							
18	Fuel Strainer (Not Shown)	S6185	1	X	X							
	Hose Connector (Not Shown)	T13595	1	X	X							
19	Fuel Line (Tank to in-line Fuel Filter)	T10642-88	1	X	•							
19	Fuel Line (Tank to in-line Fuel Filter)	T10642-270	1	•	X							
19A	Hose Clamp	S10888-35	2	X	X							
20	Muffler	M19618-2 Ω	1	X	X							
20A	M10-1.25 Hex Nut	M19618-4 Ω	4	X	X							
20B	Gasket	M19618-5 Ω	1	X	X							
20C	M10 Lock Washer	S17400-1	4	X	X							
22	Fuel Filter	M19618-13 Ω	1	X	X							
	M10-1.25 x 25mm Hex Head Bolt (Not Shown)	T14731-49	1	X	X							
	M10 Lock Washer (Not Shown)	S17400-1	1	X	X							
23	Radiator Shell Assembly	M19677	1	X	•							
23	Radiator Shell Assembly	M8567-25	1	•	X							
	Self Tapping Screw (Not Shown)	S9225-26	6	X	X							
	Radiator (Not Shown)	M19618-16 Ω	4	X	X							



# Indicates a change this printing.

Use only the parts marked "x" in the column under the heading number called for in the model index page.

ITEM	DESCRIPTION	PART NO.	QTY.	1	2	3	4	5	6	7	8	9
24	Top Radiator Hose	M19618-18 Ω	1	X	X							
24A	Clamp	M19618-19 Ω	2	X	X							
25	Bottom Radiator Hose	M19618-20 Ω	1	X	X							
25A	Clamp	M19618-19 Ω	2	X	X							
26	Air Filter	M19618-21 Ω	1	X	X							
	Air Filter Mounting Clamp (Not Shown)	M19618-22 Ω	1	X	X							
	Air Filter Mounting Bracket (Not Shown)	M19627	1	X	X							
	Thread Forming Screw (Not Shown)	S9225-22	2	X	X							
	M10--1.25 x 25mm Hex Head Bolt (Not Shown)	T14731-49	2	X	X							
	M10 Lock Washer (Not Shown)	S17400-1	2	X	X							
27	Air Intake Hose	M19618-71 Ω	1	X	X							
27A	Clamps	M19618-72 Ω	2	X	X							
28	Roof (Not Shown)	G3842	1	X	•							
28	Roof (Not Shown)	G3122-1	1	•	X							
	Roof Mounting Angle (Rear) (Not Shown)	T9428	2	X	X							
	Roof Mounting Angle (Front) (Not Shown)	S13593	2	X	X							
	5/16-18 x 1.25 Square Head Screw (Not Shown)	CF000180	4	X	X							
	5/16 Lock Nut (Not Shown)	T9187	4	X	X							
29	Oil Pressure Switch (Not Shown)	S14446	1	X	X							
	45 Degree Street Elbow (Not Shown)	M19618-26 Ω	1	X	X							
30	Door (Not Shown)	L6659-B	2	X	X							
	Door Hinge Pin (Not Shown)	S20295	6	X	X							
	Retaining Ring (Not Shown)	S9776-62	12	X	X							
31	Door Hook Assembly (Not Shown)	S10656-1	2	X	X							
	Washer (Not Shown)	T10878	2	X	X							
	Self Tapping Screw (Not Shown)	S8025-92	1	X	X							
32	Door Hook Assembly (Not Shown)	S10656-2	2	X	X							
	Washer (Not Shown)	T10878	2	X	X							
	Self Tapping Screw (Not Shown)	S8025-92	4	X	X							
33	Wiring Harness (Not Shown)	M19618-27 Ω	1	X	X							
34	Lead (Not Shown)	L2286-281	1	X	•							
34	Lead (Not Shown)	L2286-34	1	•	X							
	1/2-13 x 1.00 Hex Head Cap Screw (Not Shown)	CF000021	1	X	X							
	1/2 Lock Washer (Not Shown)	E106A-15	1	X	X							
	1/2-13 Hex Nut (Not Shown)	CF000027	1	X	X							
	Hex Jam Nut (Brass) (Not Shown)	T10114	1	X	X							
39	Positive Battery Cable	M19618-28 Ω	1	X	X							
	1/4" Thread Forming Screw (Not Shown)	S9225-8	2	X	X							
	Clip (Not Shown)	S24469	2	X	X							
40	Negative Battery Cable	M19618-29 Ω	1	X	X							
41	Negative Jumper Cable	M19618-30 Ω	2	X	X							
42	1/2-13 Hex Nut (Not Shown)	CF000054	1	X	X							
	1/2 Lock Washer (Not Shown)	E106A-15	2	X	X							
44	Shut Off Cable (Not Shown)	M19618-61 Ω	1	X	•							
44	Shut Off Rod (Not Shown)	S25965	1	•	X							
50	Fan Guard Brace	M19687	1	X	•							
50A	5/16-18 x 0.75 Hex Head Cap Screw	CF000040	2	X	•							
51	Radiator Brace (Not Shown)	S24933	1	X	•							
	5/16-18 x 0.75 (Not Shown)	CF000040	1	X	•							
	5/16 Lock Washer (Not Shown)	E106A-14	1	X	•							
	M10-1.25 x 20mm Hex Head Cap Screw (Not Shown)	M19618-68 Ω	1	X	•							



# Indicates a change this printing.

Use only the parts marked "x" in the column under the heading number called for in the model index page.

ITEM	DESCRIPTION	PART NO.	QTY.	1	2	3	4	5	6	7	8	9
52	Battery Bracket (Not Shown)	M19671	1	X	•							
	5/16 Lock Washer (Not Shown)	T9860-4	2	X	•							
	5/16 Thread Forming Screw (Not Shown)	S9225-26	2	X	•							
53	Shut-Off Cable Bracket (Not Shown)	S25101	1	X	•							
56	Guard (Not Shown)	M19732	1	X	•							

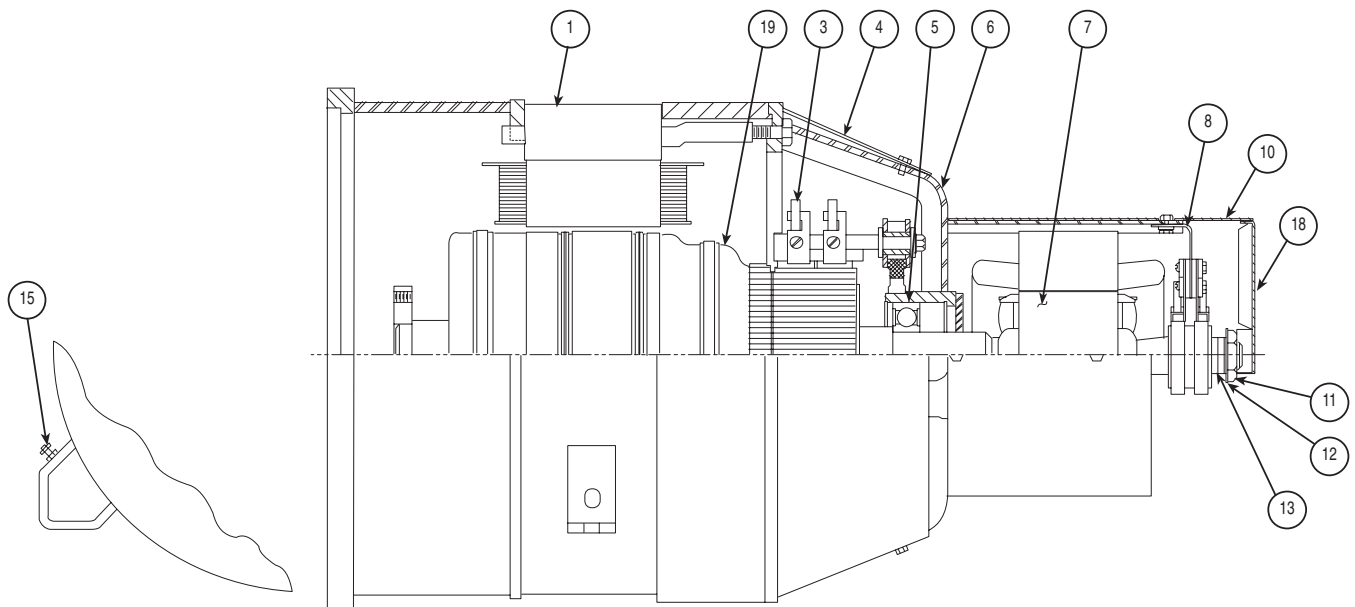




# NOTES

---

# Generator - Alternator Assembly



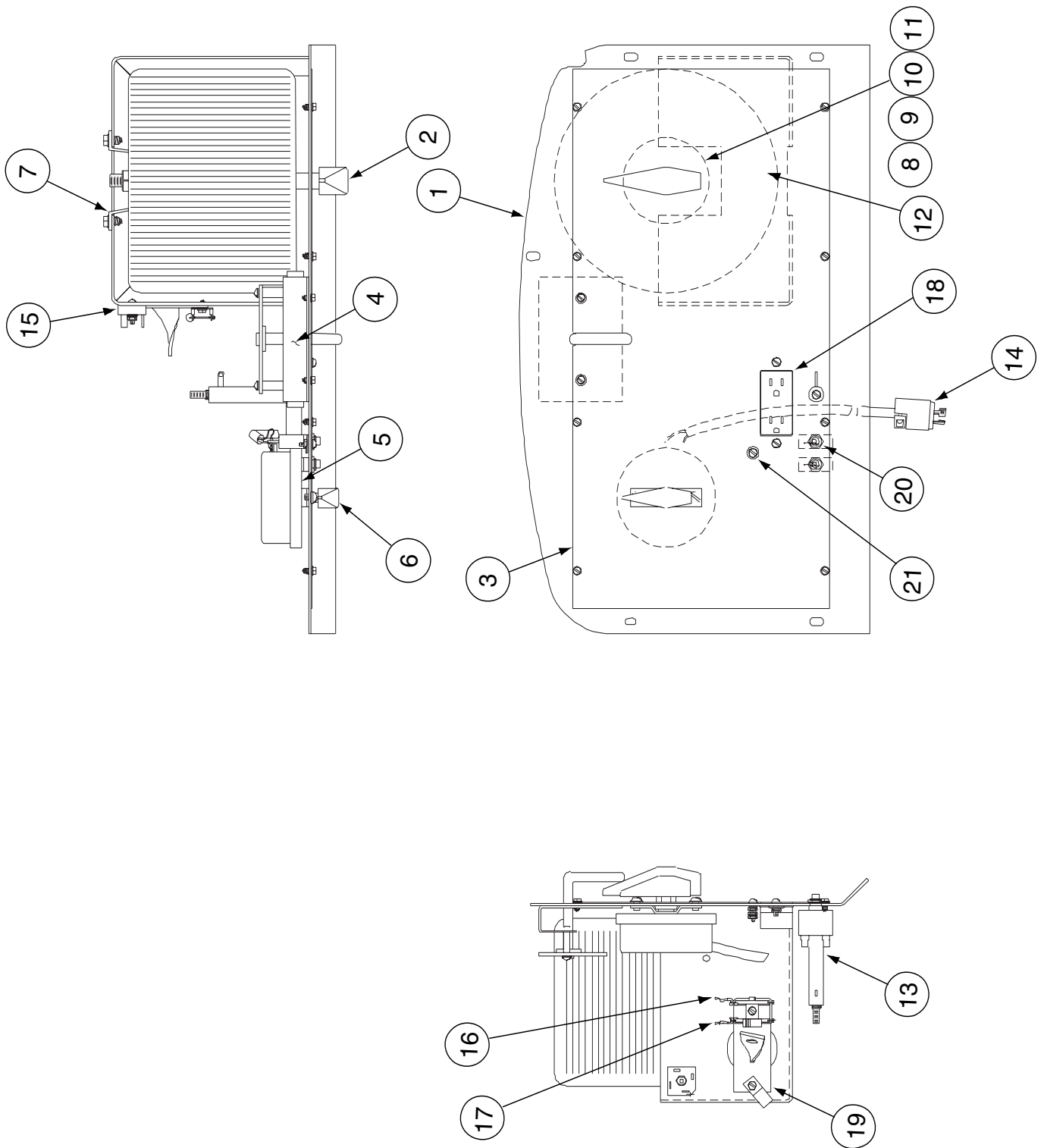
# Indicates a change this printing.

Use only the parts marked "x" in the column under the heading number called for in the model index page.

ITEM	DESCRIPTION	PART NO.	QTY.	1	2	3	4	5	6	7	8	9
	Generator-Alternator Assembly, Includes:	G1709-9	1	X	•							
	Generator-Alternator Assembly, Includes:	N/A	1	•	X							
1	Generator Frame Assembly, Includes:	M15077-6	1	X	•							
1	Generator Frame Assembly, Includes:	N/A	1	•	X							
1A	Series Coils (Top & Bottom) (Not Shown)	FKL420-T	1	X	X							
1B	Shunt Coils (Top & Bottom) (Not Shown)	N/A	1	X	•							
1B	Shunt Coils (Top & Bottom) (Not Shown)	FKL5-AG	1	•	X							
3	Rocker & Brush Holder Assembly, Includes:	S13247-12	4	X	X							
	Brush Holder Assembly	M6964-10	4	X	X							
	Brushes	T12564	8	X	X							
	5/16-18x.50 Hex Head Cap Screw	CF000074	4	X	X							
4	Bracket Guard	M5583	2	X	X							
	Thread Forming Screw	S9225-8	4	X	X							
5	Bearing	M9300-22	1	X	X							
6	End Bracket	L6795-1	1	X	X							
	Pipe Plug	S10780-4	1	X	X							
	1/2-13 x 1.75 Hex Head Cap Screw	CF000277	4	X	X							
7	Rotor	M13641-4	1	X	X							
8	Brush Holder Assembly, Includes:	M16158	1	X	X							
	Brush Holder Bracket	M19896	1	X	X							
	Brush Holder Cartridge	G2114	1	X	X							
	Brush Assembly	S19480	2	X	X							
	Brush Assembly Retainer	M16157	1	X	X							
	1/4-20 x .75 Hex Head Cap Screw	CF000014	2	X	X							
	. Plain Washer	S9262-23	2	X	X							
	. Lock Washer	E106A-2	2	X	X							
	. 1/4-20 Hex Nut	CF000017	2	X	X							
9	#10 x .75 Washer Faced SS Hex Screw	S24739-7	2	X	X							
10	Top Exciter Cover	L8254	1	X	X							
	Lock Washer	T9860-6	1	X	X							
	Thread Forming Screw	S9225-8	1	X	X							
11	Rotor Lock Nut	T6225-1	1	X	X							
12	Rotor Nut Washer	T7090-1	1	X	X							
13	Armature Sleeve Collar	T14337	1	X	X							
15	3/8-16 Hex Nut	CF000067	1	X	X							
16	#10-24 Hex Nut (Not Shown)	CF000010	2	X	X							
18	Exciter End Cover	L6129-1	1	X	X							
	Self Tapping Screw	S8025-91	4	X	X							
19	Armature	L2667-31	1	X	•							
19	Armature	L2667-27/37.4m	1	•	X							



# Upper Control Panel Assembly



# Indicates a change this printing.

Use only the parts marked "x" in the column under the heading number called for in the model index page.

ITEM	DESCRIPTION	PART NO.	QTY.	1	2	3	4	5	6	7	8	9
	Upper Control Panel Assembly, Includes:	G3843	1	X	•							
	Upper Control Panel Assembly, Includes:	N/A	1	•	X							
1	Reactor Box & Panel Assembly	M19680	1	X	•							
1	Reactor Box & Panel Assembly	M17602-6	1	•	X							
2	Handle (Selector)(Not Shown)	S16664-9	1	X	X							
3	Nameplate	M19618-59 Ω	1	X	X							
	Self Tapping Screw	S8025-12	8	X	X							
4	Reversing Switch Assembly	M7057-1	1	X	X							
	Self Tapping Screw	S8025-13	2	X	X							
5	Rheostat	M5090-C	1	X	X							
	Sems Screw	T10082-4	2	X	X							
6	Handle (Rheostat)	S16664-13	1	X	X							
7	Brush Holder Stud Assembly	T7852	1	X	X							
	Self Tapping Screw	S8025-17	2	X	X							
8	Brush Holder Assembly	M6277	1	X	X							
9	Reactor Spring Clip	S7297	1	X	X							
10	Plain Washer	S9262-41	1	X	X							
11	Spring	T8236	1	X	X							
12	Continuous Control Assembly	L2036-B	1	X	X							
	1/4-20 x .50 Hex Head Cap Screw	CF000012	4	X	X							
	Lock Washer	T9860-6	4	X	X							
13	Resistor	T8280	1	X	X							
	#10-24 x 5.00 Round Head Screw	CF000045	1	X	X							
	Lock Washer	E106A-1	1	X	X							
	#10-24 Hex Nut	CF000010	1	X	X							
14	Cable Assembly (Local/Remote)	S20231	1	X	X							
15	Silicon Bridge Assembly	T13637	1	X	X							
	#8-32 x .875 Round Head Screw	CF000059	1	X	X							
	Plain Washer	S9262-3	1	X	X							
	Lock Washer	T4291-A	1	X	X							
	#8-32 Hex Nut	CF000042	1	X	X							
16	Diode Assembly	T13622-1	1	X	X							
17	Resistor Assembly	T14894	1	X	X							
18	Receptacle	S20184-1	1	X	•							
18	Receptacle	S20143-1	1	•	X							
	#8-32 x .50 Round Head Screw	CF000033	2	•	X							
	Plain Washer	S9262-3	2	•	X							
	Lock Washer	T4291-A	2	•	X							
	#8-32 Hex Nut	CF000042	2	•	X							
	Receptacle Cover	M16996	1	X	•							
	Receptacle Gasket	S21088	1	X	•							
	Thread Forming Screw	S9225-63	2	X	•							
	Speed Nut	T11525-1	2	X	•							
19	Reactor Lead Insulation	T10576	1	X	X							
	Lead Clip	T12563-12	1	X	X							
	Self Tapping Screw	S8025-22	2	X	X							
20	Circuit Breaker (20A)	T12287-31	2	X	•							
20	Circuit Breaker (15A)	T12287-22	2	•	X							
21	Thread Forming Screw	S9225-36	1	X	X							
	Internal Lock Washer	T9695-1	2	X	X							
	Hex Nut	CF000010	3	X	X							



# Indicates a change this printing.

PAGE NO.	ITEM	DESCRIPTION	LINCOLN PART NO.	RED-D-ARC PART NO.
P-378-C.1	8F	TEMPERATURE GAUGE	M19618-36	4950016
P-378-C.1	8G	STARTER SWITCH	M19618-49	3221033220
P-378-C.1	8H	RELAY - DENSO	M19618-66	T007031410
P-378-C.2	20	MUFFLER (CODE NO. 10748)	M19618-2	5220149
P-378-C.2	20	MUFFLER (CODE NO. C1260710137, 10569)	M19618-2	5220117
P-378-C.2	20C	MUFFLER GASKET (CODE NO. 10748)	M19619-4	1C01112231
P-378-C.2	20C	MUFFLER GASKET (CODE NO. C1260710137, 10569)	M19619-4	1732612231
P-378-C.2	22	FUEL FILTER (CODE NO. 10748)	M19618-13	1663143560
P-378-C.2	22	FUEL FILTER ASSEMBLY (C/W FILTER) (CODE NO. C1260710137, 10569)	M19618-13	1907743010
P-378-C.2	23	RADIATOR (CODE NO. 10748)	M19618-16	5040110
P-378-C.2	23	RADIATOR (CODE NO. C1260710137, 10569)	M19618-16	1941872061
P-378-C.3	24	TOP RADIATOR HOSE (CODE NO. 10748)	M19618-18	5040220
P-378-C.3	24	TOP RADIATOR HOSE (CODE NO. 1260710137, 10569)	M19618-18	1562172942
P-378-C.3	24A	RADIATOR HOSE CLAMP - TOP (CODE NO. 10748)	M19618-19	5080128
P-378-C.3	24A	RADIATOR HOSE CLAMP - TOP (CODE NO. 1260710137, 10569)	M19618-19	1500172873
P-378-C.3	25	BOTTOM RADIATOR HOSE (CODE NO. 10748)	M19618-20	5040240
P-378-C.3	25	BOTTOM RADIATOR HOSE (CODE NO. C1260710137, 10569)	M19618-20	1562172852
P-378-C.3	25A	RADIATOR HOSE CLAMP - BOTTOM (CODE NO. 10748)	M19618-19	5080128
P-378-C.3	25A	RADIATOR HOSE CLAMP - BOTTOM (CODE NO. C1260710137, 10569)	M19618-19	1510872873
P-378-C.3	26	AIR FILTER ASSEMBLY (CODE NO. 10748)	M19618-21	5106250
P-378-C.3	27	AIR INTAKE HOSE (FILTER SIDE) (CODE NO. 10748)	M19618-71	5130024
P-378-C.3	27	AIR INTAKE HOSE (FILTER SIDE) (CODE NO. C1260710137, 10569)	M19618-71	1641411622
P-378-C.3	27A	AIR INTAKE HOSE INSERT (CODE NO. 10748)	M19618-72	3135118112
P-378-C.3	27A	AIR INTAKE HOSE CLAMP	M19618-24	5080140
P-378-C.3	29	45 DEGREE STREET ELBOW	M19618-26	6404148
P-378-C.3	33	WIRING HARNESS (CODE NO. 10748)	M19618-27	4901256
P-378-C.3	33	WIRING HARNESS (CODE C1260710137, 10569)	M19618-27	4901247
P-378-C.3	39	POSITIVE BATTERY CABLE (CODE NO. 10748)	M19618-28	4901148
P-378-C.3	39	POSITIVE BATTERY CABLE (CODE NO. C1260710137, 10569)	M19618-28	4901147
P-378-C.3	40	NEGATIVE BATTERY CABLE (CODE NO. 10748)	M19618-29	4901159
P-378-C.3	40	NEGATIVE BATTERY CABLE (CODE NO. C1260710137, 10569)	M19618-29	4901158
P-378-C.3	41	NEGATIVE BATTERY CABLE (CODE NO. 10748)	M19618-30	4901164
P-378-C.3	41	NEGATIVE BATTERY CABLE JUMPER (CODE NO. C1260710137, 10569)	M19618-30	4901163
P-378-C.3	44	SHUT OFF CABLE	M19618-61	14762
P-378-E.1	3	NAMEPLATE (D500K 5+3)	M19618-59	5701102

\* RED-D-ARC PART NO. TO BE ORDERED FROM RED-D-ARC PARTS DEPARTMENT.

SOME PARTS FOR THE D503K 5+3 ARE OBSOLETE, ALTERNATE SOURCING REQUIRED.

