

**PARTS LIST FOR**

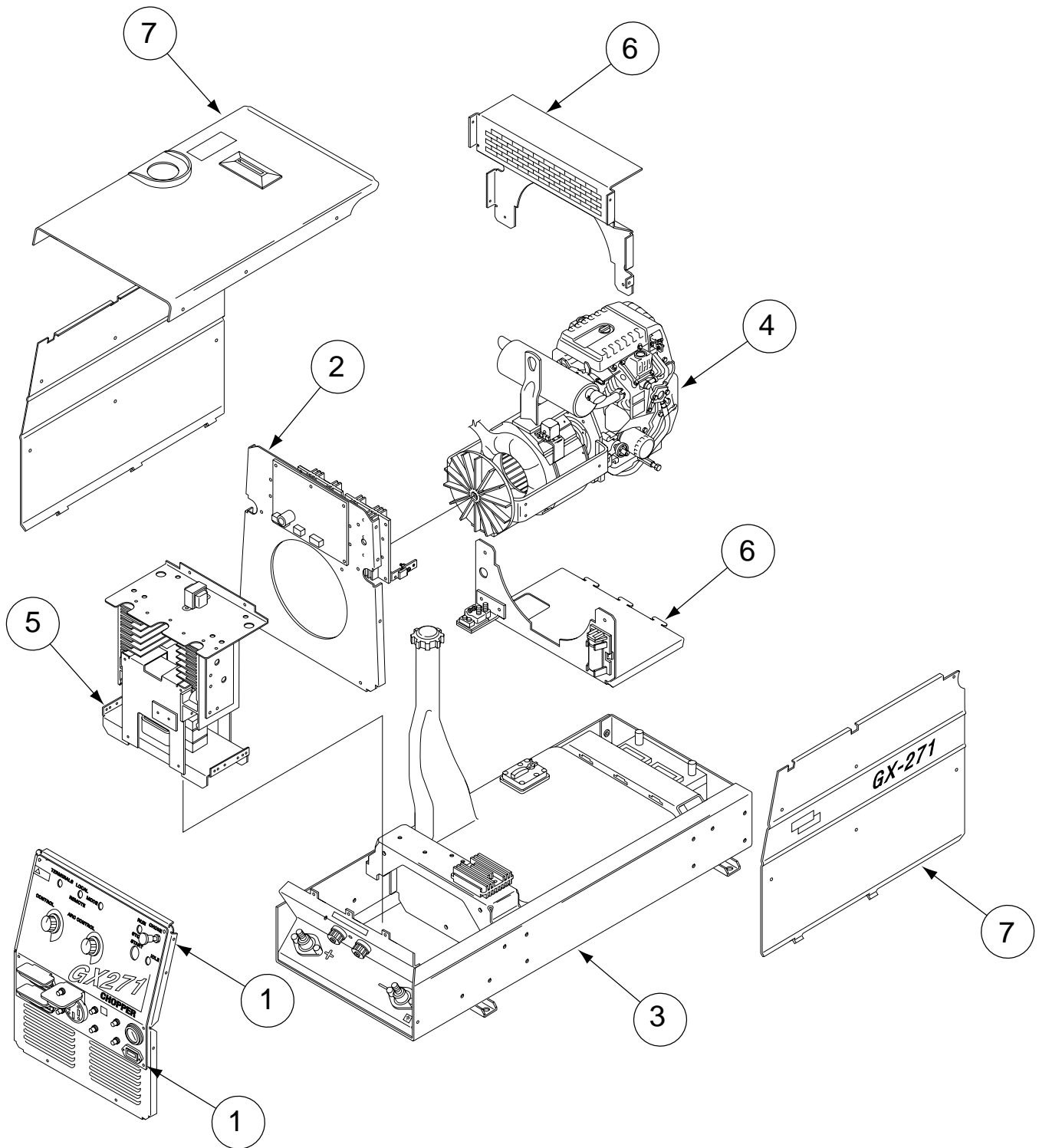
**GX271**

**(Gasoline & LPG)**

GX271



# ILLUSTRATION OF SUB-ASSEMBLIES



# GX271 Gasoline & LPG

## For Codes: 10527 to 10579

Do Not use this Parts List for a machine if its code number is not listed. Contact the Service Department for any code numbers not listed.

Use the Illustration of Sub-Assemblies page and the table below to determine which sub assembly page and column the desired part is located on for your particular code machine.

↔ Sub Assembly Item No.			1	1	2	3	4	5	6
SUB ASSEMBLY PAGE NAME ↔	Optional Equipment Items	Miscellaneous Items	Case Front Assembly (Upper)	Case Front Assembly (Lower)	Baffle & Rectifier Assembly	Base, Fuel Tank & Battery	Engine, Rotor & Base Assembly	Power Module Assembly	Upper/Lower Case Back
PAGE NO. →	P325-B.1	P325-B.2	P325-C	P325-D	P325-E	P325-F	P325-G	P325-H	P325-J
CODE NO. ↓									
10527 (Gasoline)		1	1	1	1	1	1	1	1
10579 (LPG)		2	2	1	1	2	2	1	2



# GX271 Gasoline & LPG

## For Codes: 10527 to 10579

Do Not use this Parts List for a machine if its code number is not listed. Contact the Service Department for any code numbers not listed.

Use the Illustration of Sub-Assemblies page and the table below to determine which sub assembly page and column the desired part is located on for your particular code machine.

↔ Sub Assembly Item No.	7								
SUB ASSEMBLY PAGE NAME ↔	Covers Assembly								
PAGE NO. →	P325-K								
CODE NO. ↓									
10527 (Gasoline)	1								
10579 (LPG)	2								



# NOTES

---

GX271



# OPTIONAL EQUIPMENT LISTING

Miscellaneous Options Available for your machine are listed below:

# Indicates a change this printing.

DESCRIPTION	PART NUMBER
Accessory Package	Order K710
Aux. Power Plug Kit	Order K802R
Remote Output Control	Order K857
Canvas Cover	Order K886-1
*Undercarriage	Order K889-2
*Undercarriage Caster Kit	Order K893-1
GFCI Receptacle Kit	Order K896-1
Tig Module Docking Kit	Order K939-1
Tig Module	Order K930-1
Undercarriage (4 Wheeled Hand Moving)	Order K933-1
Platform Welded Assembly (Single Cylinder) for K933-1	Order K934-1
Platform Welded Assembly (Double Cylinder) for K933-1	Order K934-2
Light Welder Trailer, Heavy Duty	Order K957-1
Rotor Pulling Kit (Available to Field Service Shops Only)	Order S20788

\* Not used on LPG models.



# Indicates a change this printing.

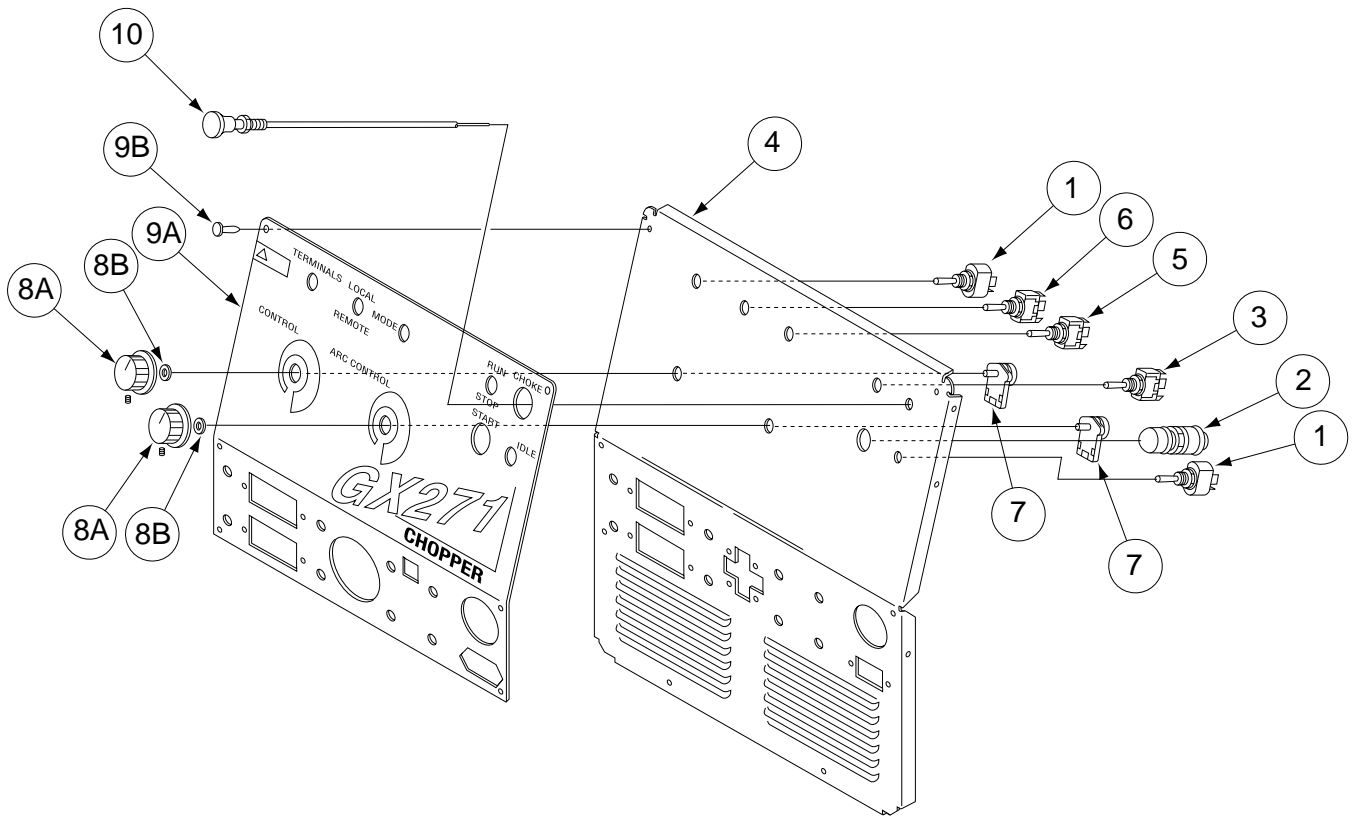
Use only the parts marked "x" in the column under the heading number called for in the model index page.

**Recommended Spare Part are Highlighted Bold**

DESCRIPTION	PART NO.	QTY.	1	2	3	4	5	6	7	8	9
Case Front Wiring Harness	G3467	1	X	X							
Plug & Lead Assembly (P3)	S18250-555	1	X	X							
Plug & Lead Assembly (P1 & P14)	S18250-556	1	X	X							
Plug & Lead Assembly (P6)	S18250-558	1	X	X							
Engine Wiring Harness	G3466	1	X	•							
Plug & Lead Assembly (J7)	S18250-586	1	X	X							
Diode & Lead Assembly (D9)	S22687-1	1	X	X							
Battery Caution Decal	S17851	1	X	X							
Plug & Lead Assembly (P16, P2) (Power Module)	S18250-560	1	X	X							
Pipe Nipple	S24099	1	X	•							
"O" Ring	T13483-38	1	X	•							
Pipe Cap	T14426-2	1	X	•							
Flex Tube	T10642-189	1	X	•							
Regulator Lead Harness (Supplied with Engine)	M18988-5	1	X	X							
Stator Cover (Right)	L9048	1	X	X							
Stator Cover (Left)	L9147	1	X	X							
Toroid Assembly	S21440-1	1	X	X							
Pipe Nipple	T9959-18	1	•	X							
Pipe Cap	T14426-3	1	•	X							
LPG Fuel Line Assembly	M18995	1	•	X							
Plug & Lead Assembly (P8, J7)	S18250-559	1	•	X							



# Case Front Assembly (Upper)





# Indicates a change this printing.

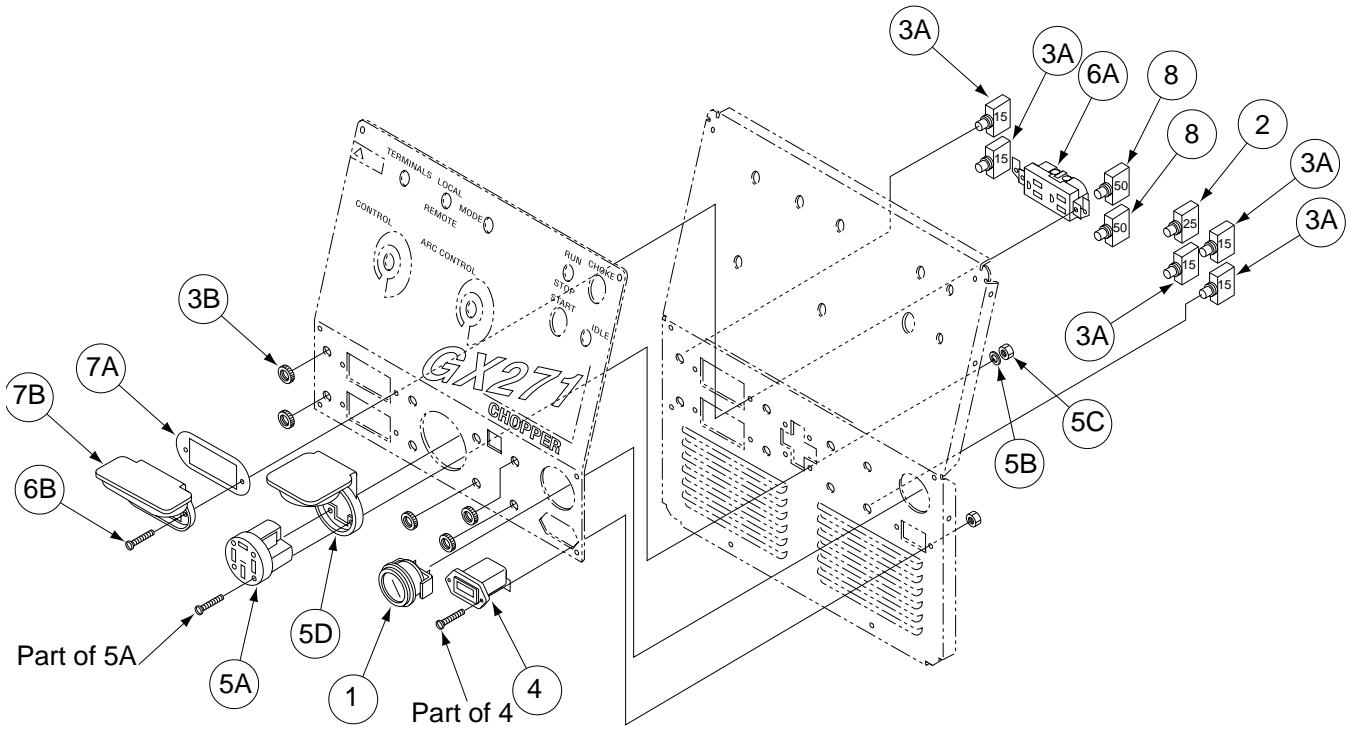
Use only the parts marked "x" in the column under the heading number called for in the model index page.

**Recommended Spare Parts are Highlighted in Bold**

ITEM	DESCRIPTION	PART NO.	QTY.	1	2	3	4	5	6	7	8	9
<b>1</b>	<b>Toggle Switch (Idler) &amp; (Welding Terminals)</b>	<b>T10800-38</b>	<b>2</b>	<b>X</b>	<b>X</b>							
<b>2</b>	<b>Start Button</b>	<b>S13146-1</b>	<b>1</b>	<b>X</b>	<b>X</b>							
<b>3</b>	<b>Toggle Switch (Run)</b>	<b>T10800-36</b>	<b>1</b>	<b>X</b>	<b>X</b>							
4	Upper Case Front	G3378	1	X	•							
4	Upper Case Front	G3386-1	1	•	X							
<b>5</b>	<b>Toggle Switch (Mode)</b>	<b>T10800-50</b>	<b>1</b>	<b>X</b>	<b>X</b>							
<b>6</b>	<b>Toggle Switch (Local, Remote)</b>	<b>T10800-39</b>	<b>1</b>	<b>X</b>	<b>X</b>							
<b>7</b>	<b>Plug &amp; Lead Assembly, Includes:</b>	<b>S18250-556</b>	<b>1</b>	<b>X</b>	<b>X</b>							
	50K Potentiometer	T10812-74	1	X	X							
	10K Potentiometer	T10812-112T	1	X	X							
8A	Knob	T10491-1	2	X	•							
8B	"O" Ring	T13483-7	2	X	•							
9A	Nameplate	L10818	1	X	X							
9B	Fastener Button	T14659-1	6	X	X							
<b>10</b>	<b>Choke Control Cable</b>	<b>S7525-20</b>	<b>1</b>	<b>X</b>	<b>X</b>							



# Case Front Assembly (Lower)



# Indicates a change this printing.

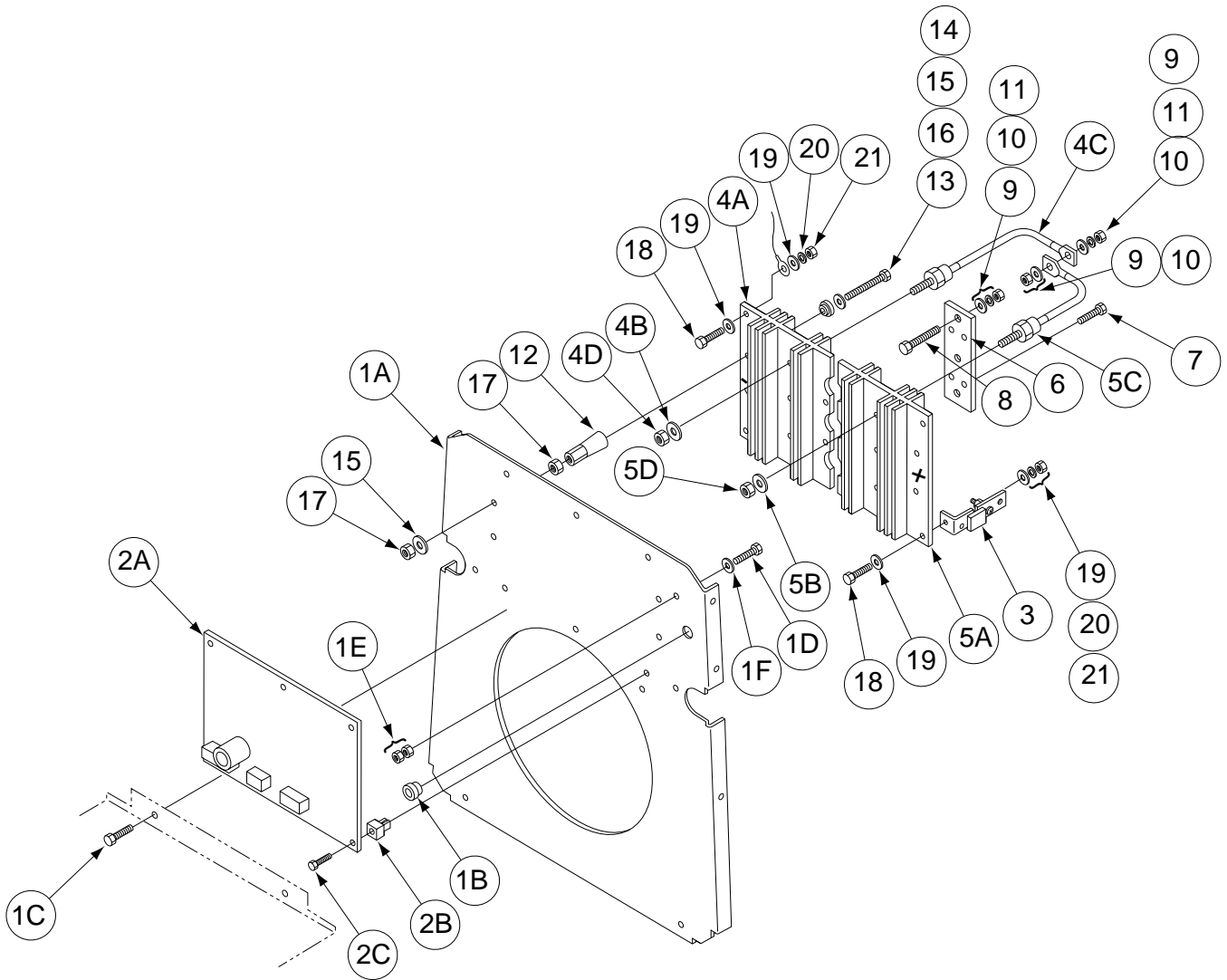
Use only the parts marked "x" in the column under the heading number called for in the model index page.

Recommended Spare Parts are Highlighted in Bold

ITEM	DESCRIPTION	PART NO.	QTY.	1	2	3	4	5	6	7	8	9
<b>1</b>	<b>Ammeter</b>	<b>S7514-8</b>	<b>1</b>	<b>X</b>								
<b>2</b>	<b>Circuit Breaker 25A.</b>	<b>T12287-21</b>	<b>1</b>	<b>X</b>								
<b>3A</b>	<b>Circuit Breaker 15A.</b>	<b>T12287-34</b>	<b>5</b>	<b>X</b>								
3B	Bushing	S23828	5	X								
<b>4</b>	<b>Hour Meter</b>	<b>S17475-3</b>	<b>1</b>	<b>X</b>								
<b>5A</b>	<b>Single Receptacle</b>	<b>S18907-2</b>	<b>1</b>	<b>X</b>								
5B	Lock Washer	T9695-3	4	X								
5C	#8-32 Hex Nut	CF000042	4	X								
5D	Receptacle Cover	M18861	1	X								
<b>6A</b>	<b>Duplex Receptacle</b>	<b>S20143-1</b>	<b>2</b>	<b>X</b>								
6B	Thread Forming Screw	S9225-63	4	X								
6C	Speed Nut #10-24 Hex Nut (Not Shown)	T11525-1	4	X								
7A	Receptacle Gasket	S21088	2	X								
7B	Receptacle Cover	S21316	2	X								
<b>8</b>	<b>Circuit Breaker 50A.</b>	<b>T12287-19</b>	<b>2</b>	<b>X</b>								



# Baffle & Rectifier Assembly



# Indicates a change this printing.

Use only the parts marked "x" in the column under the heading number called for in the model index page.

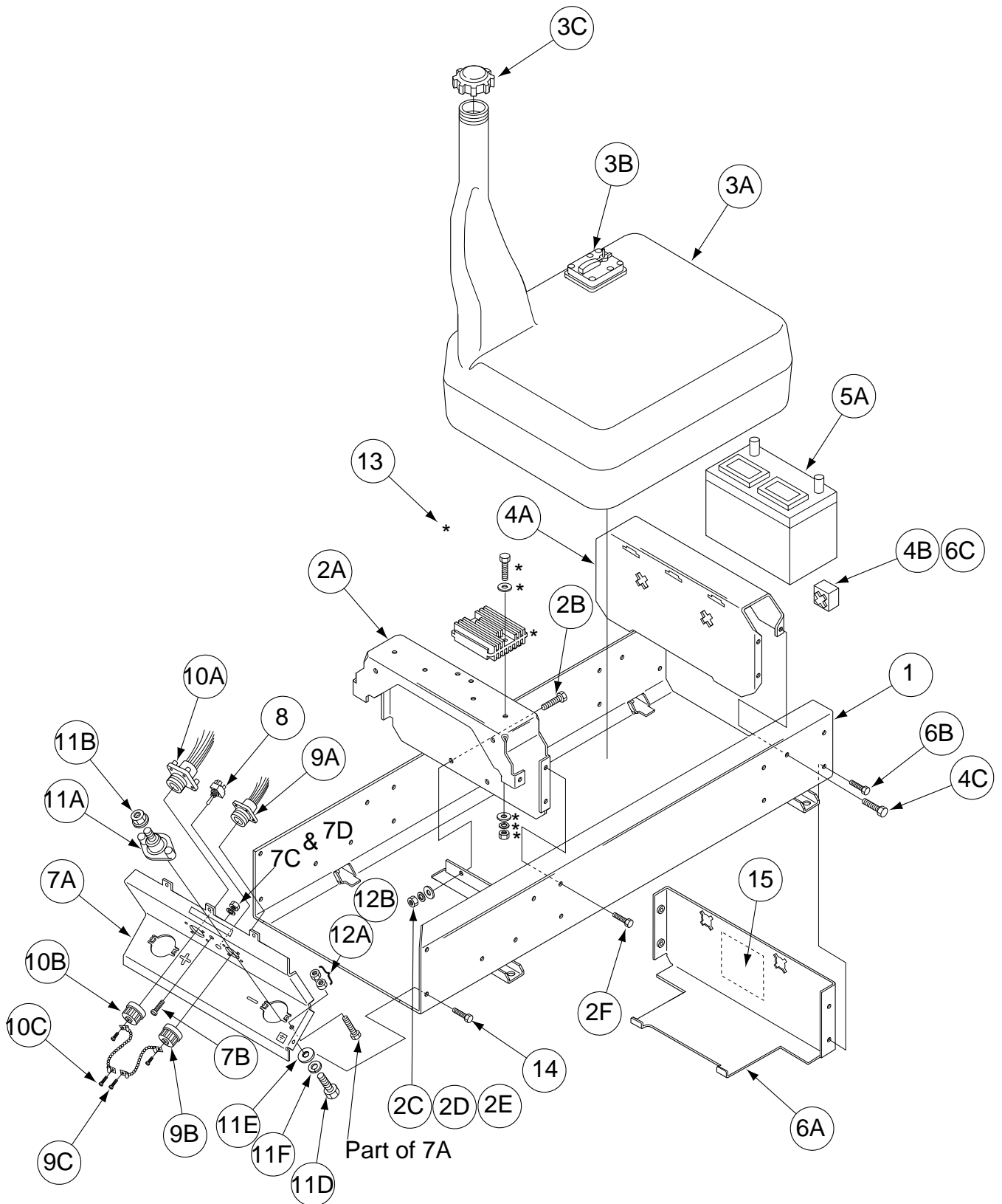
Recommended Spare Parts are Highlighted in Bold

ITEM	DESCRIPTION	PART NO.	QTY.	1	2	3	4	5	6	7	8	9
1A	Baffle	G3379	1	X								
1B	Bushing	T12380-6	1	X								
1C	Thread Forming Screw	S9225-68	2	X								
1D	Thread Forming Screw	S9225-36	1	X								
1E	Hex Nut	CF000010	2	X								
1F	Lock Washer	T9695-1	1	X								
1G	Grommet Strip (Not Shown)	T12823-18	2	X								
<b>2A</b>	<b>Control P.C. Board Assembly</b>	<b>G3342-[ ]</b>	<b>1</b>	<b>X</b>								
2B	Plastic Expansion Nut	S14020-3	6	X								
2C	Self Tapping Screw	S8025-75	6	X								
3	Shunt & Lead Assembly	S24097	1	X								
<b>4</b>	<b>Rectifier Subassembly, Includes:</b>	<b>L9050-3</b>	<b>1</b>	<b>X</b>								
4A	Heat Sink Machining (- Side)	M17018-1	1	X								
4B	Spring Washer	T12735-3	3	X								
<b>4C</b>	<b>Diode</b>	<b>M9661-32R</b>	<b>3</b>	<b>X</b>								
4D	3/8-24 Hex Nut	CF000167	3	X								
5A	Heat Sink Machining (+ Side)	M17018-1	1	X								
5B	Spring Washer	T12735-3	3	X								
<b>5C</b>	<b>Diode</b>	<b>M9661-32</b>	<b>3</b>	<b>X</b>								
5D	3/8-24 Hex Nut	CF000167	3	X								
6	Rectifier Brace	T14497-4	1	X								
7	Self Tapping Screw	S9225-17	4	X								
8	Carriage Bolt	T11827-40	3	X								
9	1/4-20 Hex Nut	CF000017	12	X								
10	Plain Washer	S9262-23	9	X								
11	Lock Washer	T9860-6	6	X								
12	Insulator	S18419	4	X								
13	INSulator	T11267-B	4	X								
14	1/4-20 x 2.50 Hex Head cap Screw	CF000114	4	X								
15	Lock Washer	E106A-2	4	X								
16	Plain Washer	S9262-98	4	X								
17	1/4-20 Hex Nut	CF000017	8	X								
18	5/16-18 x 1.00 Hex Head Cap Screw	CF000062	4	X								
19	Plain Washer	S9262-30	8	X								
20	Lock Washer	E106A-14	4	X								
21	5/16-18 Hex Nut	Cf000029	4	X								

Note: When ordering new printed circuit boards indicate the dash number [ ] of the "Old" board that is to be replaced. This will aid Lincoln in supplying the correct and latest board along with any necessary jumpers or adapters. The dash number brackets [ ] have purposely been left blank so as to eliminate errors, confusion and updates.



# Base, Fuel Tank & Battery



# Indicates a change this printing.

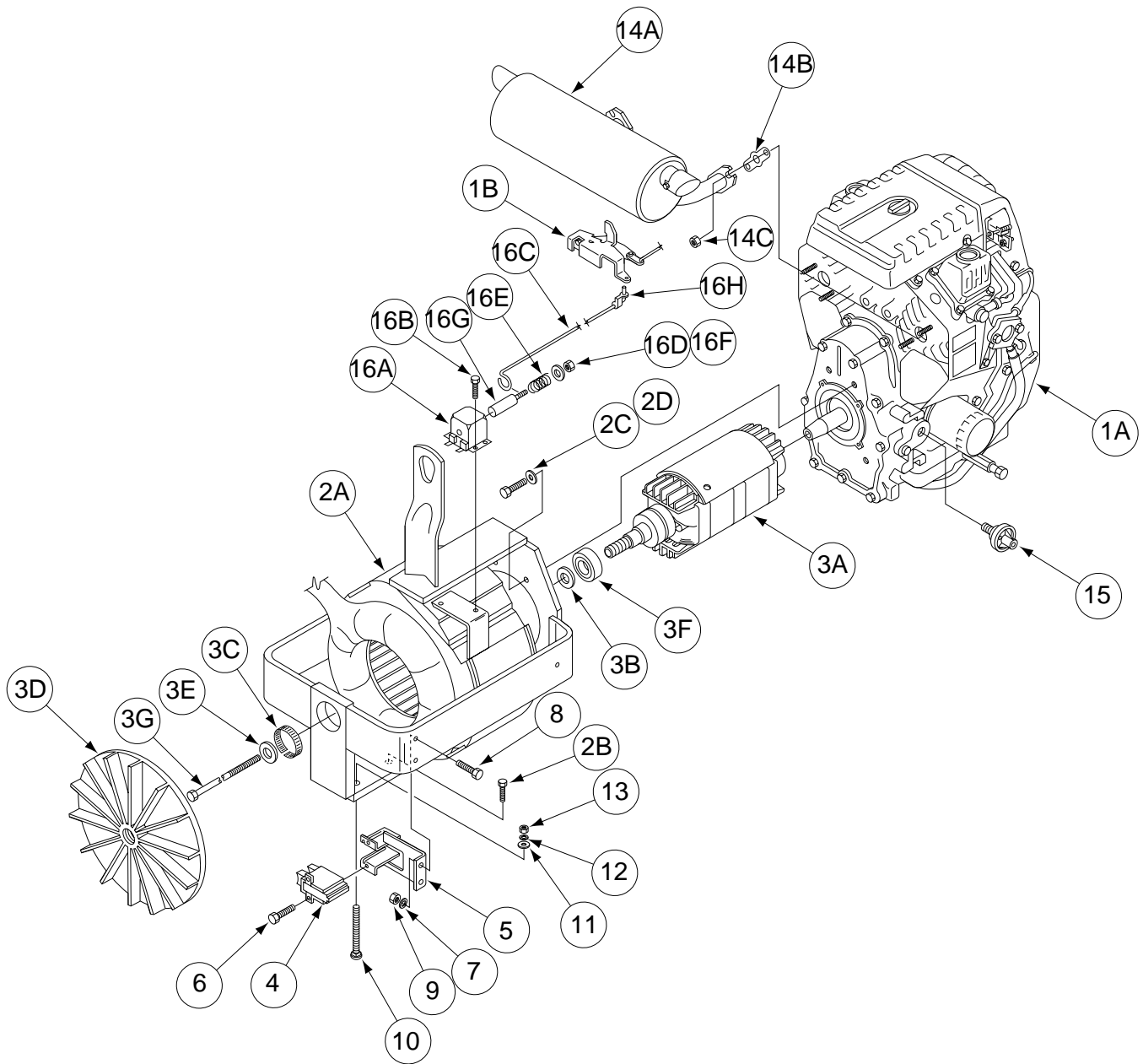
Use only the parts marked "x" in the column under the heading number called for in the model index page.

Recommended Spare Parts are Highlighted in Bold

ITEM	DESCRIPTION	PART NO.	QTY.	1	2	3	4	5	6	7	8	9
1	Base Assembly	L10777-1	1	X	X							
2A	Stator Support Bracket	L8437	1	X	X							
2B	Carriage Bolt	T11827-23	2	X	X							
2C	Plain Washer	S9262-98	2	X	X							
2D	Lock Washer	E106A-2	2	X	X							
2E	1/4-20 Hex nut	CF000017	2	X	X							
2F	Thread forming Screw	S9225-68	6	X	X							
<b>3</b>	<b>Fuel Tank &amp; Gage Assembly, Includes:</b>	<b>G2635-1</b>	<b>1</b>	<b>X</b>	<b>•</b>							
3A	Fuel Tank	NSS	1	X	•							
3B	Fuel Gage Sight Base	NSS	1	X	•							
	Fuel Tank Seal	NSS	1	X	•							
	Indicator Arm	NSS	1	X	•							
	Fuel Pick Up Tube Assembly	NSS	1	X	•							
	Float	NSS	1	X	•							
	Sems Screw	T10082-5	6	X	•							
	Decal (Fuel Gage)	S20647	1	X	•							
<b>3C</b>	<b>Fuel Cap</b>	<b>S19568</b>	<b>1</b>	<b>X</b>	<b>•</b>							
4A	Engine Cross Support	L10782	1	X	•							
4A	Engine Cross Support	L10805	1	•	X							
4B	Fuel Tank Support	M16528	2	X	X							
4C	Thread Forming Screw	S9225-68	6	X	X							
<b>5A</b>	<b>12 Volt Storage Battery</b>	<b>M9399-13</b>	<b>1</b>	<b>X</b>	<b>X</b>							
5B	Battery Terminal Cover (Not Shown)	S20191-1	1	X	X							
6A	Rear Base Panel	L10783-1	1	X	X							
6B	Thread Forming Screw	S9225-68	4	X	X							
6C	Fuel Tank Support	M16528	2	X	X							
7	Lower Case Front Assembly, Includes:	M19014-1	1	X	X							
7A	Lower Case Welded Assembly	G3381-1	1	X	X							
7B	Thread Forming Screw	S9225-36	1	X	X							
7C	Lock Washer	E106A-1	1	X	X							
7D	#10-24 Hex Nut	CF000010	1	X	X							
<b>8</b>	<b>Switch DPDT</b>	<b>T10800-39</b>	<b>1</b>	<b>X</b>	<b>X</b>							
<b>9A</b>	<b>Connection &amp; Lead Assembly (on - side)</b>	<b>S13100-213</b>	<b>1</b>	<b>X</b>	<b>X</b>							
9B	Connection Cap	S17062-2	1	X	X							
9C	Self Tapping Screw	S8025-73	4	X	X							
<b>10A</b>	<b>Connection &amp; Lead Assembly (on + side)</b>	<b>S13100-214</b>	<b>1</b>	<b>X</b>	<b>X</b>							
10B	Connection Cap	S17062-3	1	X	X							
10C	Self Tapping Screw	S8025-73	4	X	X							
11A	Output Terminal Assembly	T14166-9	2	X	X							
11B	Output Stud Nut	T3960	2	X	X							
11C	Self Tapping Screw (Not Shown)	S8025-65	4	X	X							
11D	1/2-13 x 1.00 Hex Head Cap Screw	CF000021	2	X	X							
11E	Plain Washer	S9262-1	2	X	X							
11F	Lock Washer	E106A-15	2	X	X							
12A	Locknut	CF000017	1	X	X							
12B	1/4-20 Hex Nut	T9187-1	1	X	X							
13 *	20 Amp Regulator/Rectifier & Hardware	* M18944-4	1	X	X							
14	Thread Forming Screw	S9225-68	4	X	X							
15	Battery Caution Decal	S17851	1	X	X							



# Engine, Rotor & Base Assembly





# Indicates a change this printing.

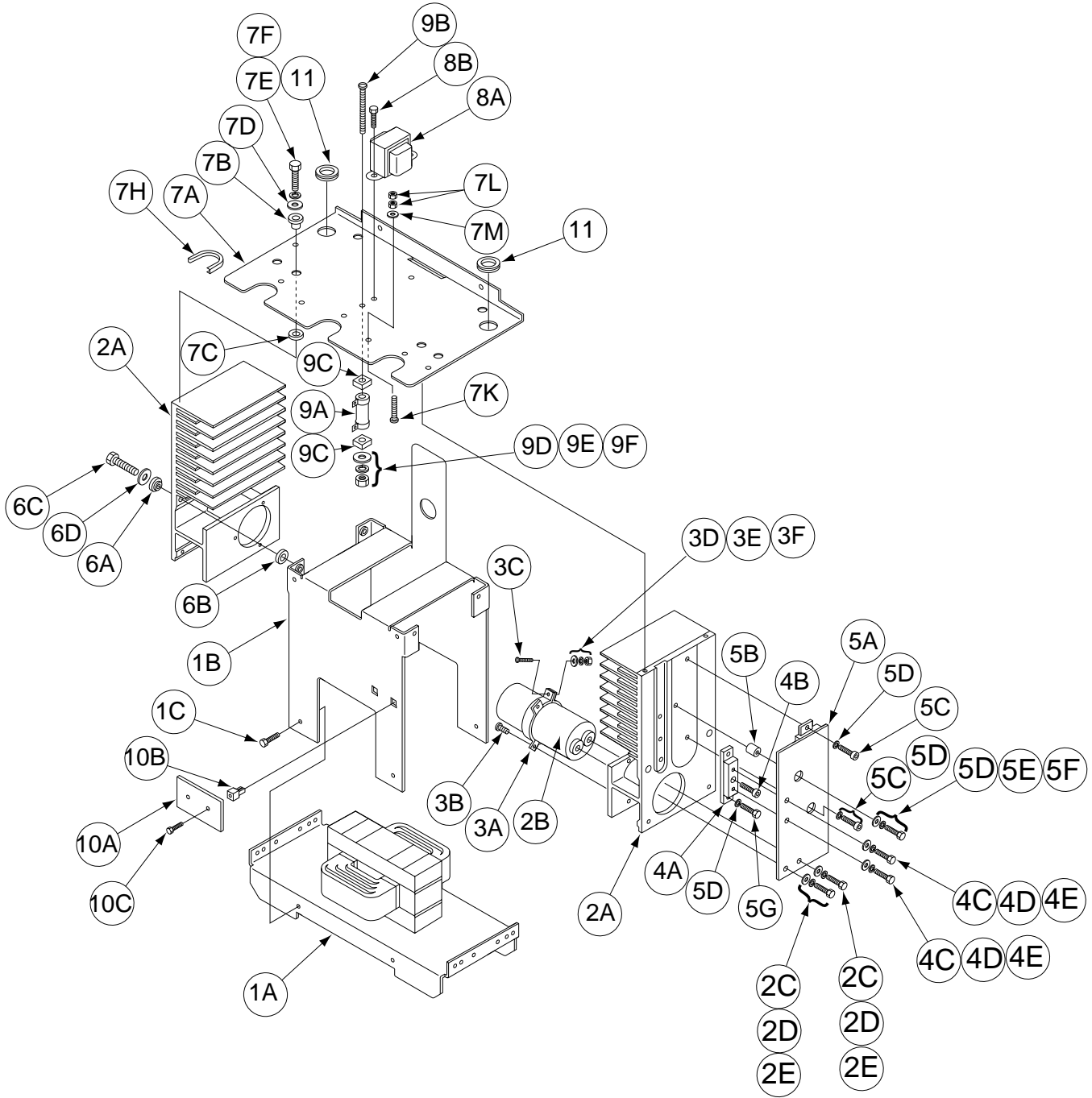
Use only the parts marked "x" in the column under the heading number called for in the model index page.

**Recommended Spare Parts are Highlighted in Bold**

ITEM	DESCRIPTION	PART NO.	QTY.	1	2	3	4	5	6	7	8	9
1A	Engine (Kohler)	M18969	1	•	X							
1A	Engine (Honda) (Order from Red-D-Arc)	NSS	1	X	•							
1B	Idler Lever	M18975	1	X	X							
<b>2A</b>	<b>Stator Frame Assembly</b>	<b>G3394-1</b>	<b>1</b>	<b>X</b>	<b>X</b>							
2B	Thread Forming Screw	S9225-28	2	X	X							
2C	Hex Head Cap Screw	T8833-10	4	X	X							
2D	Lock Washer	E106A-16	4	X	X							
<b>3A</b>	<b>Rotor &amp; Shaft Assembly</b>	<b>L9031</b>	<b>1</b>	<b>X</b>	<b>X</b>							
3B	Centering Washer	S20110-3	1	X	X							
3C	Tolerance Ring	S18044-5	1	X	X							
<b>3D</b>	<b>Blower</b>	<b>L9033</b>	<b>1</b>	<b>X</b>	<b>X</b>							
3E	Plain Washer	S9262-149	1	X	X							
<b>3F</b>	<b>Bearing</b>	<b>M9300-85</b>	<b>1</b>	<b>X</b>	<b>X</b>							
3G	Hex Head Bolt (Rotor)	T14843-5	1	X	•							
3G	Hex Head Bolt (Rotor)	T14843-3	1	•	X							
<b>4</b>	<b>Brush &amp; Brush Holder Assembly, Includes: Brush Holder Cartridge Brush Assembly Brush Assembly Retainer</b>	<b>M16158</b> <b>G2114</b> <b>S19480</b> <b>M16157</b>	<b>1</b> <b>1</b> <b>2</b> <b>1</b>	<b>X</b> <b>X</b> <b>X</b> <b>X</b>	<b>X</b> <b>X</b> <b>X</b> <b>X</b>							
5	Brush Holder	M18925	1	X	X							
6	Self Tapping Screw	S8025-65	2	X	X							
7	Lock Washer	E106A-2	2	X	X							
8	1/4-20 x 1.00 Hex Head Cap Screw	CF000015	2	X	X							
9	1/4-20 Hex Nut	CF000017	2	X	X							
10	3/8-16 x 1.75 Hex Head Cap Screw	CF000112	2	X	X							
11	Plain Washer	S9262-120	4	X	X							
12	Lock Washer	E106A-4	2	X	X							
13	3/8-16 Hex Nut	CF000067	2	X	X							
<b>14A</b>	<b>Muffler Assembly, (Order from Red-D-Arc)</b>	<b>NSS</b>	<b>1</b>	<b>X</b>	<b>•</b>							
<b>14A</b>	<b>Muffler Assembly</b>	<b>G2642</b>	<b>1</b>	<b>•</b>	<b>X</b>							
14B	Exhaust Gasket (Supplied with Engine)	M18988-2	2	X	•							
14B	Exhaust Gasket (Supplied with Engine)	M16999-1	2	•	X							
14C	Flange Nut (Supplied with Engine)	M18988-3	4	X	•							
14D	M8x1.25 Hex Head Cap Screw (Not Shown)	T14731-3	2	X	•							
14E	Lock Washer (Not Shown)	E106A-14	2	X	•							
14F	Plain Washer (Not Shown)	E106A-14	2	X	•							
14G	Exhaust Port Liner (Supplied with Engine) (Not Shown)	M18969-2	2	•	X							
<b>15</b>	<b>Pressure Switch (Oil)</b>	<b>S14446-3</b>	<b>1</b>	<b>X</b>	<b>X</b>							
<b>16A</b>	<b>Solenoid Assembly</b>	<b>S20752-1</b>	<b>1</b>	<b>X</b>	<b>X</b>							
16B	Self Tapping Screw	S8025-91	3	X	X							
<b>16C</b>	<b>Pull Wire</b>	<b>S20687-1</b>	<b>1</b>	<b>X</b>	<b>X</b>							
16D	Plain Washer	S9262-98	1	X	X							
<b>16E</b>	<b>Spring</b>	<b>T6778</b>	<b>1</b>	<b>X</b>	<b>X</b>							
16F	Lock Nut	T9187-1	1	X	X							
<b>16G</b>	<b>Plunger</b>	<b>S21020</b>	<b>1</b>	<b>X</b>	<b>X</b>							
<b>16H</b>	<b>Bushing</b>	<b>S21015</b>	<b>1</b>	<b>X</b>	<b>X</b>							



# Power Module Assembly



# Indicates a change this printing.

Use only the parts marked "x" in the column under the heading number called for in the model index page.

**Recommended Spare Parts are Highlighted in Bold**

ITEM	DESCRIPTION	PART NO.	QTY.	1	2	3	4	5	6	7	8	9
1	Power Module Assembly, Includes:	G3391	1	X								
<b>1A</b>	<b>Choke Assembly</b>	<b>M18394-1</b>	<b>1</b>	<b>X</b>								
1B	Power Module Bracket	L10784	1	X								
1C	Thread Forming Screw	S9225-68	4	X								
<b>2</b>	<b>Switch Board Heatsink Assembly, Includes:</b> (One assembly listed)	<b>L10745</b>	<b>2</b>	<b>X</b>								
2A	Heatsink	L10568	1	X								
<b>2B</b>	<b>Capacitor</b>	<b>S13490-157</b>	<b>1</b>	<b>X</b>								
2C	Capacitor Screw	Supplied with Engine		X								
2D	Plain Washer	S9262-98	2	X								
2E	Lock Washer	E106A-2	2	X								
3A	Capacitor Bracket	S18434-3	1	X								
3B	Sems Screw	T10082-27	3	X								
3C	#10-24 x .75 Round Head Screw	CF000072	1	X								
3D	Plain Washer	S9262-27	1	X								
3E	Lock Washer	E106A-1	1	X								
3F	#10-24 Hex Nut	CF000010	1	X								
<b>4A</b>	<b>Diode</b>	<b>M15454-11</b>	<b>1</b>	<b>X</b>								
4B	Sems Screw	T10082-27	1	X								
4C	1/4-20 x .500 Hex Head Cap Screw	CF000012	2	X								
4D	Plain Washer	S9262-98	2	X								
4E	Lock Washer	E106A-2	2	X								
<b>5A</b>	<b>Chopper P.C. Board Assembly</b>	<b>G3135-[ ]</b>	<b>1</b>	<b>X</b>								
5B	Copper Spacer	S23730	1	X								
5C	1/4-20 x .625 Socket Head Cap Screw	T9447-9	2	X								
5D	Lock Washer	E106A-2	5	X								
5E	1/4-20 x 1.00 Hex Head Cap Screw	CF000015	1	X								
5F	Plain Washer	S9262-98	3	X								
5G	1/4-20 x .500 Hex Head Cap Screw	CF000012	2	X								
6A	Insulator Bushing	S16860	4	X								
6B	Insulator Washer	T11267-B	4	X								
6C	Thread Forming Screw	S8025-41	4	X								
6D	Plain Washer	S9262-98	4	X								
7A	Support Bracket	M18976	1	X								
7B	Insulator Bushing	T11267-A	5	X								
7C	Insulator Washer	T11267-B	5	X								
7D	Plain Washer	S9262-98	6	X								
7E	Lock Washer	E106A-2	5	X								
7F	1/4-20 x 1.00 Hex Head Cap Screw	CF000015	4	X								
7G	1/4-20 Hex Jam Lock Nut (Not Shown)	T9187-1	1	X								
7H	Grommet Strip	T12823-18	3	X								
7J	1/4-20 x 1.25 Hex Head Cap Screw (Not Shown)	CF000069	1	X								
7K	Thread Forming Screw	S9225-36	1	X								
7L	Hex Nut	CF000010	2	X								
7M	Lock Washer	T9695-1	1	X								
<b>8A</b>	<b>Transformer &amp; lead Assembly, Includes:</b>	<b>S18250-528</b>	<b>1</b>	<b>X</b>								
	<b>Transformer</b>	<b>S1300-87</b>	<b>1</b>	<b>X</b>								
	Receptical Housing	S24018-8	1	X								
	Locking Post	S24019-8	1	X								
	Molex Pin (Male)	S8053-122	8	X								
8B	Self Tapping Screw	S8025-91	2	X								



# Indicates a change this printing.

Use only the parts marked "x" in the column under the heading number called for in the model index page.

**Recommended Spare Parts are Highlighted in Bold**

ITEM	DESCRIPTION	PART NO.	QTY.	1	2	3	4	5	6	7	8	9
<b>9A</b>	<b>Resistor 250V 25W</b>	<b>S10404-76</b>	<b>1</b>	<b>X</b>								
9B	#10-24 x 3.00 Round Head Screw	CF000009	1	X								
9C	Insulator Washer	T4479-A	2	X								
9D	Plain Washer	S9262-27	1	X								
9E	Lock Washer	E106A-2	1	X								
9F	#10-24 Hex Nut	CF000010	1	X								
<b>10A</b>	<b>Bypass P.C. Board Assembly</b>	<b>M18992-[ ]</b>	<b>1</b>	<b>X</b>								
10B	Support P.C. Board Nut	S14020-3	2	X								
10C	Thread Forming Screw	S8025-75	2	X								
11	Bushing	T12380-5	2	X								

Note: When ordering new printed circuit boards indicate the dash number [ ] of the "Old" board that is to be replaced. This will aid Lincoln in supplying the correct and latest board along with any necessary jumpers or adapters. The dash number brackets [ ] have purposely been left blank so as to eliminate errors, confusion and updates.



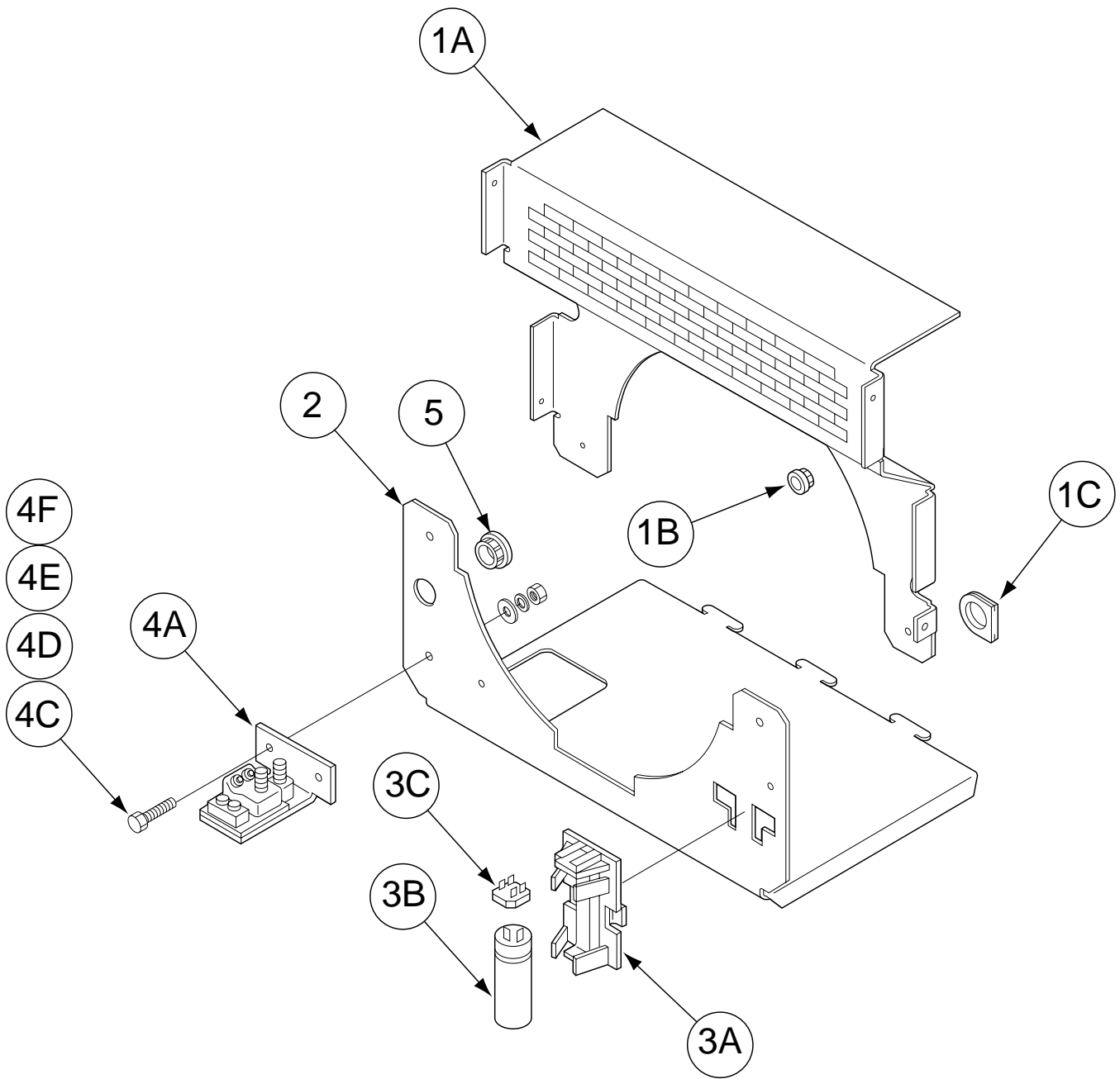
# NOTES

---

GX271



# Upper/Lower Case Back



# Indicates a change this printing.

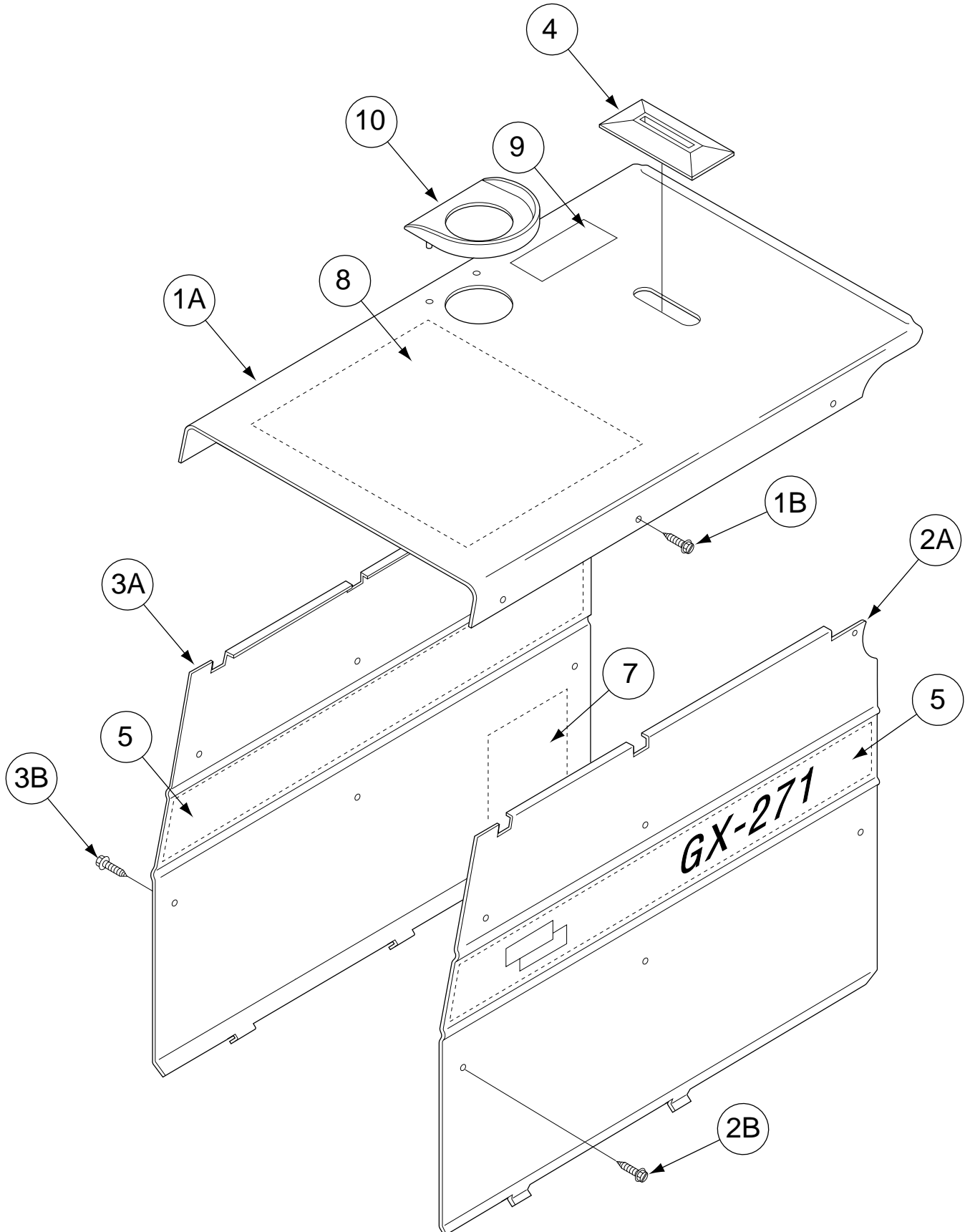
Use only the parts marked "x" in the column under the heading number called for in the model index page.

Recommended Spare Parts are Highlighted in Bold

ITEM	DESCRIPTION	PART NO.	QTY.	1	2	3	4	5	6	7	8	9
1A	Upper Case Back	G2545	1	X	X							
1B	Bushing	T12380-6	1	X	X							
1C	Grommet	S18543-2	2	X	X							
1D	Self Tapping Screw (Not Shown)	S8025-91	2	X	X							
2	Lower Case Back	G2546	1	X	•							
2	Lower Case Back	G2748	1	•	X							
3A	Mounting Bracket	L9250	1	X	X							
3B	Capacitor	S13490-114	1	X	X							
3C	Diode Bridge	T13637-1	1	X	X							
<b>4A</b>	<b>Starter Solenoid</b>	<b>M15834</b>	<b>1</b>	<b>X</b>	<b>X</b>							
4B	Terminal Cover (Supplied with Engine)	M18988-6	1	X	X							
4C	1/4-20 x .50 Hex Head Cap Screw	CF000012	2	X	X							
4D	Plain Washer	S9262-98	2	X	X							
4E	Lock Washer	E106A-2	2	X	X							
4F	1/4-20 Hex Nut	CF000017	2	X	X							
<b>5</b>	<b>Pressure Switch (Oil)</b>	<b>S14446-3</b>	<b>1</b>	<b>X</b>	<b>X</b>							



# Covers Assembly





# Indicates a change this printing.

Use only the parts marked "x" in the column under the heading number called for in the model index page.

Recommended Spare Parts are Highlighted in Bold

ITEM	DESCRIPTION	PART NO.	QTY.	1	2	3	4	5	6	7	8	9
1A	Roof	G3515	1	•	X							
1A	Roof	G3377	1	X	X							
1B	Self Tapping Screw	S8025-91	6	X	X							
2A	Right Case Side	G3373	1	X	X							
2B	Self Tapping Screw	S8025-91	5	X	X							
3A	Left Case Side	G3374	1	X	X							
3B	Self Tapping Screw	S8025-91	5	X	X							
<b>4</b>	<b>Cover Seal</b>	<b>S12934</b>	<b>1</b>	<b>X</b>	<b>X</b>							
5	Side Decal (Right & Left) (Order from Red-D-Arc)	NSS	1	X	•							
7	Warning Label	M16197	1	X	X							
8	Wiring Diagram	L10791	1	X	•							
8	Wiring Diagram	L10810	1	•	X							
9	Fuel Warning Decal	T13086-108	1	X	•							
9	Fuel Warning Decal	T13086-109	1	•	X							
<b>10</b>	<b>Fuel Through</b>	<b>M16533</b>	<b>1</b>	<b>X</b>	<b>•</b>							
11	Side Decal	G3399	2	•	X							



# NOTES

---

GX271

