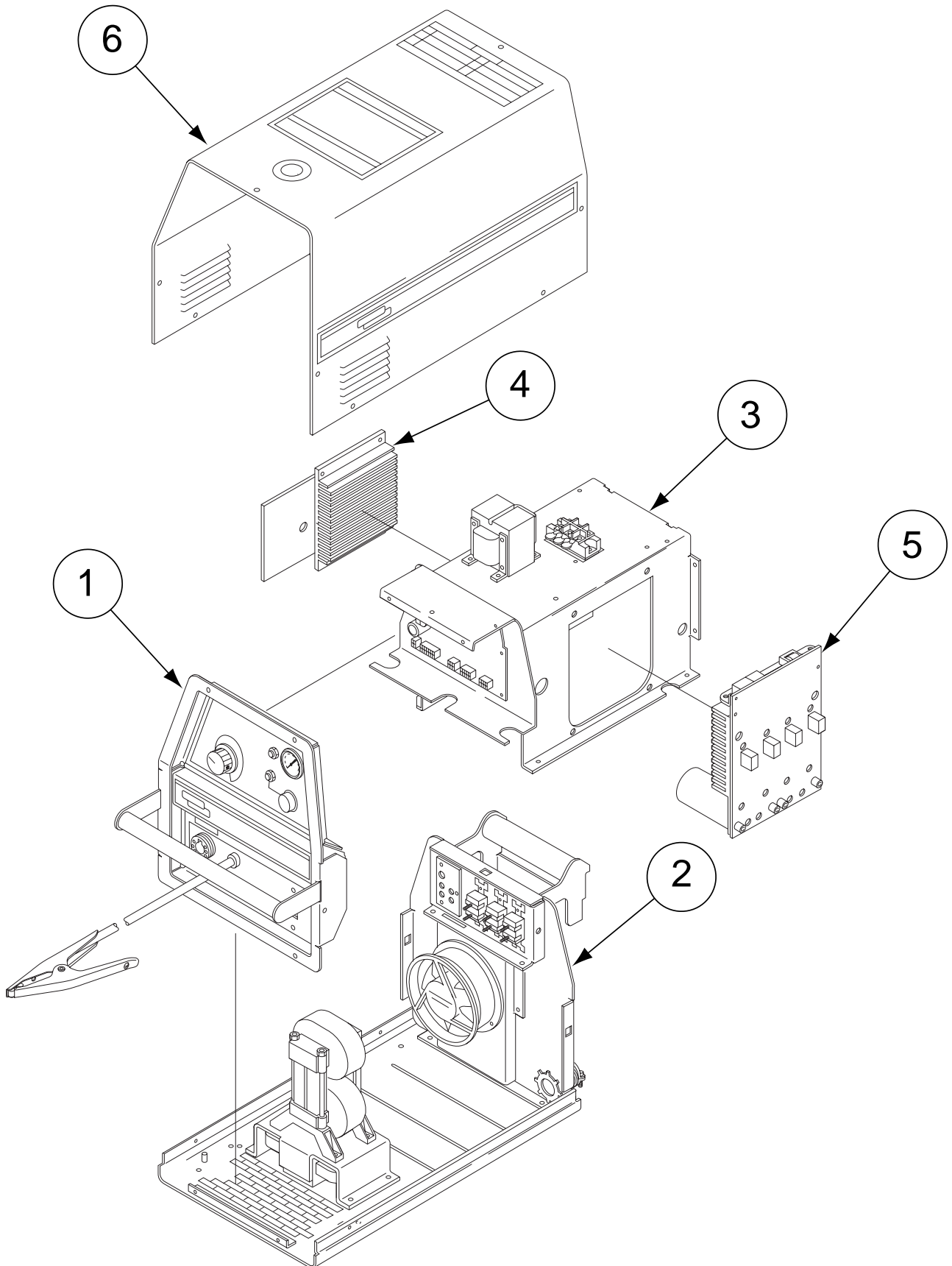


# PARTS LIST FOR PYTHON

PYTHON



# Main Assembly



# PYTHON

## For Codes: 10627 to 10656

Do Not use this Parts List for a machine if its code number is not listed. Contact the Service Department for any code numbers not listed.

Use the Illustration of Sub-Assemblies page and the table below to determine which sub assembly page and column the desired part is located on for your particular code machine.

Sub Assembly Item No. 			1	2	3	4	5	6	
SUB ASSEMBLY PAGE NAME 	Optional Equipment	Miscellaneous Items	Case Front Assembly	Base & Case Back	Center Panel Assembly	Output Board Heatsink	Power Board Heatsink	Wraparound Assembly	PCT 80 Torch & Cable
PAGE NO. 	P342-B.1	P342-B.2	P342-C	P342-D	P342-E	P342-F	P342-G	P342-H	P210-K
CODE NO. 									
10627 (460/575/3/50/60)		1	1	1	1	1	1	1	1
10656 (208/230/460/1/3/50/60)		1	1	2	2	2	2	2	1



# OPTIONAL EQUIPMENT LISTING

Miscellaneous Options Available for your machine are listed below:

# Indicates a change this printing.

DESCRIPTION .....	PART NUMBER
HF-Less Plasma Cutting Torch 25' .....	.Order K1571-1
HF-Less Plasma Cutting Torch 50' .....	.Order K1571-2
Combination Circle Kit .....	.Order K1625-1
Adapter Bushing 38 mm .....	.Order K1626-1
Suction Pivot .....	.Order K1628-1
Undercarriage .....	.Order K1681-2
Machine Torch & Cable Assembly 25' .....	.Order K1571-3
Machine Torch & Cable Assembly 50' .....	.Order K1571-4
Robotic Torch & Cable Assembly 25' .....	.Order K1571-5
Robotic Torch & Cable Assembly 50' .....	.Order K1571-6



# Indicates a change this printing.

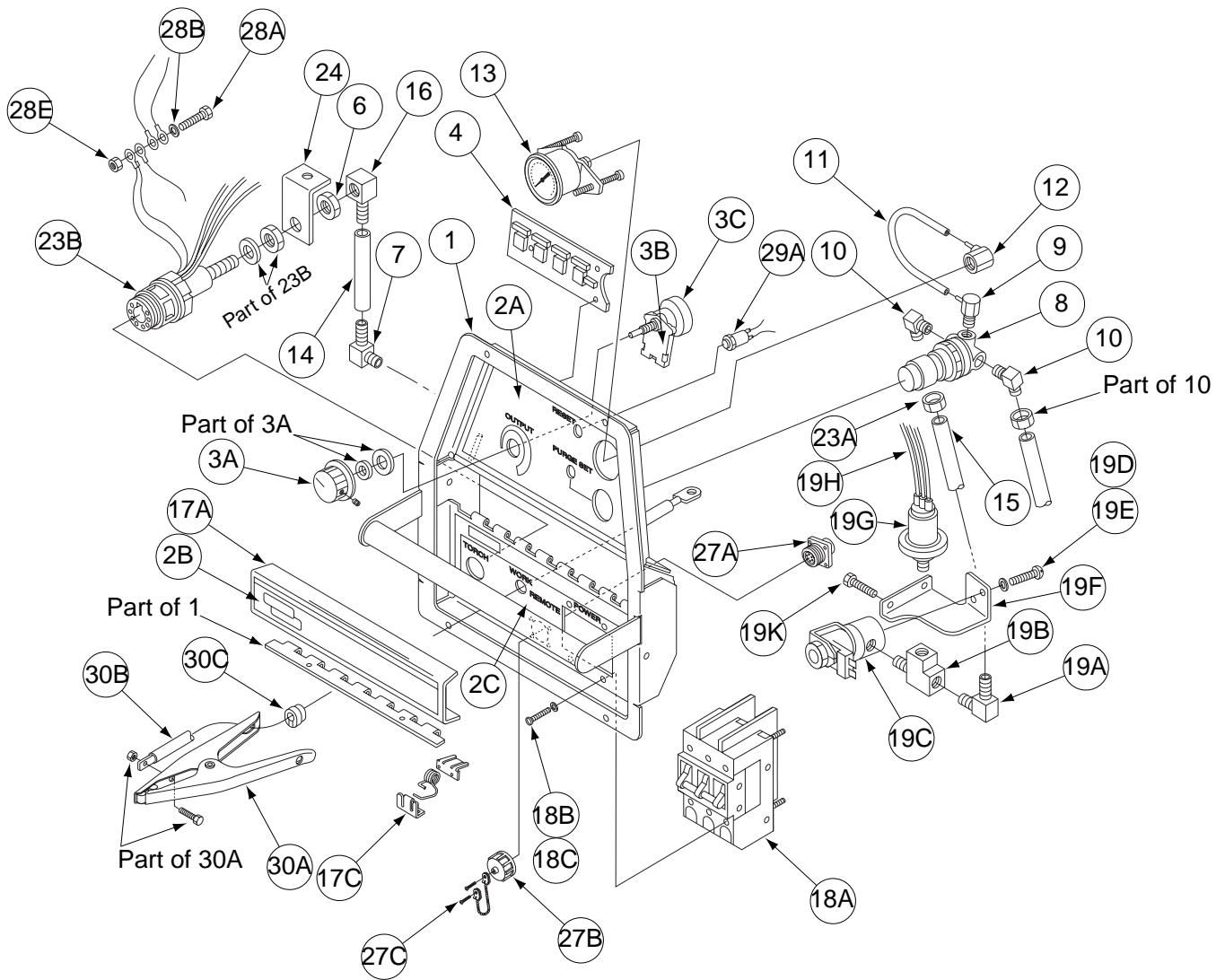
Use only the parts marked "x" in the column under the heading number called for in the model index page.

**Recommended Spare Part are Highlighted Bold**

DESCRIPTION	PART NO.	QTY.	1	2	3	4	5	6	7	8	9
Plug & Lead Assembly (P3-P20-P32-P33)	S18250-593	1	X								
Plug & Lead Assembly (P5-P10)	S18250-594	1	X								
Plug & Lead Assembly (P1-P21-P30)	S18250-596	1	X								
Plug & Lead Assembly (P22)	S18250-609	1	X								
Rear Nameplate (Code 10627)	S24511	1	X								
Rear Nameplate (Code 10656)	S24656	1	X								
Plug Housing (P4)	S18249-6	1	X								
Flex Tube	T10642-234	1	X								



# Case Front Assembly



# Indicates a change this printing.

Use only the parts marked "x" in the column under the heading number called for in the model index page.

**Recommended Spare Parts are Highlighted in Bold**

ITEM	DESCRIPTION	PART NO.	QTY.	1	2	3	4	5	6	7	8	9
	Case Front Assembly, Includes:	L10867-1	1	X								
1	Case Front Welded Assembly	M19080-1	1	X								
2A	Nameplate	L11062-1	1	X								
2B	Nameplate	L11062-2	1	X								
2C	Nameplate	L11062-3	1	X								
3A	Knob	T10491	1	X								
3B	Control Pot Spacer	S18280	1	X								
<b>3C</b>	<b>Potentiometer</b>	<b>T10812-112T</b>	<b>1</b>	<b>X</b>								
<b>4</b>	<b>Display Board</b>	<b>L10721-[ ]</b>	<b>1</b>	<b>X</b>								
5	Plug & Lead Assembly (Not Shown)	S18250-597	1	X								
6	Hex Nut (Brass)	S22990-2B	1	X								
7	90° Male Hose Elbow	S18451-2	2	X								
<b>8</b>	<b>Pressure Regulator</b>	<b>S22184</b>	<b>1</b>	<b>X</b>								
9	Elbow	S22155	1	X								
10	Adapter	T14557-21	2	X								
11	Flex Tube	T10642-221	1	X								
12	Pipe Cap	S22154	1	X								
<b>13</b>	<b>Pressure Gauge</b>	<b>S11395-4</b>	<b>1</b>	<b>X</b>								
14	Flex Tube	T10642-232	1	X								
15	Flex Tube	T10642-220	1	X								
16	Hose Nipple	S23941	1	X								
17A	Case Front Door	M19084-1	1	X								
17B	Rivet (Not Shown)	T12584-4	4	X								
<b>17C</b>	<b>Spring &amp; Mounting Bracket</b>	<b>S24049</b>	<b>1</b>	<b>X</b>								
17D	Decal (Not Shown)	S24364	1	X								
<b>18A</b>	<b>Breaker Switch</b>	<b>M19234</b>	<b>1</b>	<b>X</b>								
18B	#6-32x.375 Phillips Pan Head Screw	CF000337	4	X								
18C	Lock Washer	E106A-13	4	X								
<b>19</b>	<b>Solenoid Assembly, Includes:</b>	<b>S18667-7</b>	<b>1</b>	<b>X</b>								
19A	Male Elbow	T13442	2	X								
19B	Street Tee	T14130	1	X								
<b>19C</b>	<b>Solenoid Valve</b>	<b>S18667-7</b>	<b>1</b>	<b>X</b>								
19D	#10-32 Round Head Screw	CF000113	2	X								
19E	Lock Washer	T9695-1	2	X								
19F	Solenoid Bracket	S23864	1	X								
<b>19G</b>	<b>Pressure Switch</b>	<b>S18638-2</b>	<b>1</b>	<b>X</b>								
19H	Plug Housing	S18249-4	1	X								
<b>19J</b>	<b>Filter Screen (Not Shown)</b>	<b>S20829</b>	<b>1</b>	<b>X</b>								
19K	Self Tapping Screw	S8025-70	2	X								
23A	Bulkhead Nut	S22990-2A	1	X								
23B	Plug & Lead Assembly (P-31)	S18250-592	1	X								
24	Rectifier Bracket Arm	T11655-6	1	X								
27A	Connector & Lead Assembly	S13100-222	1	X								
27B	Cable Connector Cap	S17062-3	1	X								
27C	Self Tapping Screw	S8025-96	4	X								
28	Ground Screw Assembly, Includes:	S18922	1	X								
28A	Thread Forming Screw	S9225-36	1	X								
28B	Lock Washer	T9695-1	1	X								
28C	Plain Washer (Not Shown)	S9262-27	2	X								

#



# Indicates a change this printing.

Use only the parts marked "x" in the column under the heading number called for in the model index page.

**Recommended Spare Parts are Highlighted in Bold**

ITEM	DESCRIPTION	PART NO.	QTY.	1	2	3	4	5	6	7	8	9
28D	Lock Washer	E106A-1	1	X								
28E	Hex Nut	CF000010	2	X								
29A	Pushbutton (Reset)	T15089	1	X								
29B	Purge (Reset) (Not Shown)	T15089	1	X								
30A	Ground Clamp Assembly	M12033	1	X								
30B	Work Lead	S11609-16	1	X								
30C	Strain Relief	T9274-3	1	X								

Note: When ordering new printed circuit boards indicate the dash number [ ] of the "Old" board that is to be replaced. This will aid Lincoln in supplying the correct and latest board along with any necessary jumpers or adapters. The dash number brackets [ ] have purposely been left blank so as to eliminate errors, confusion and updates.





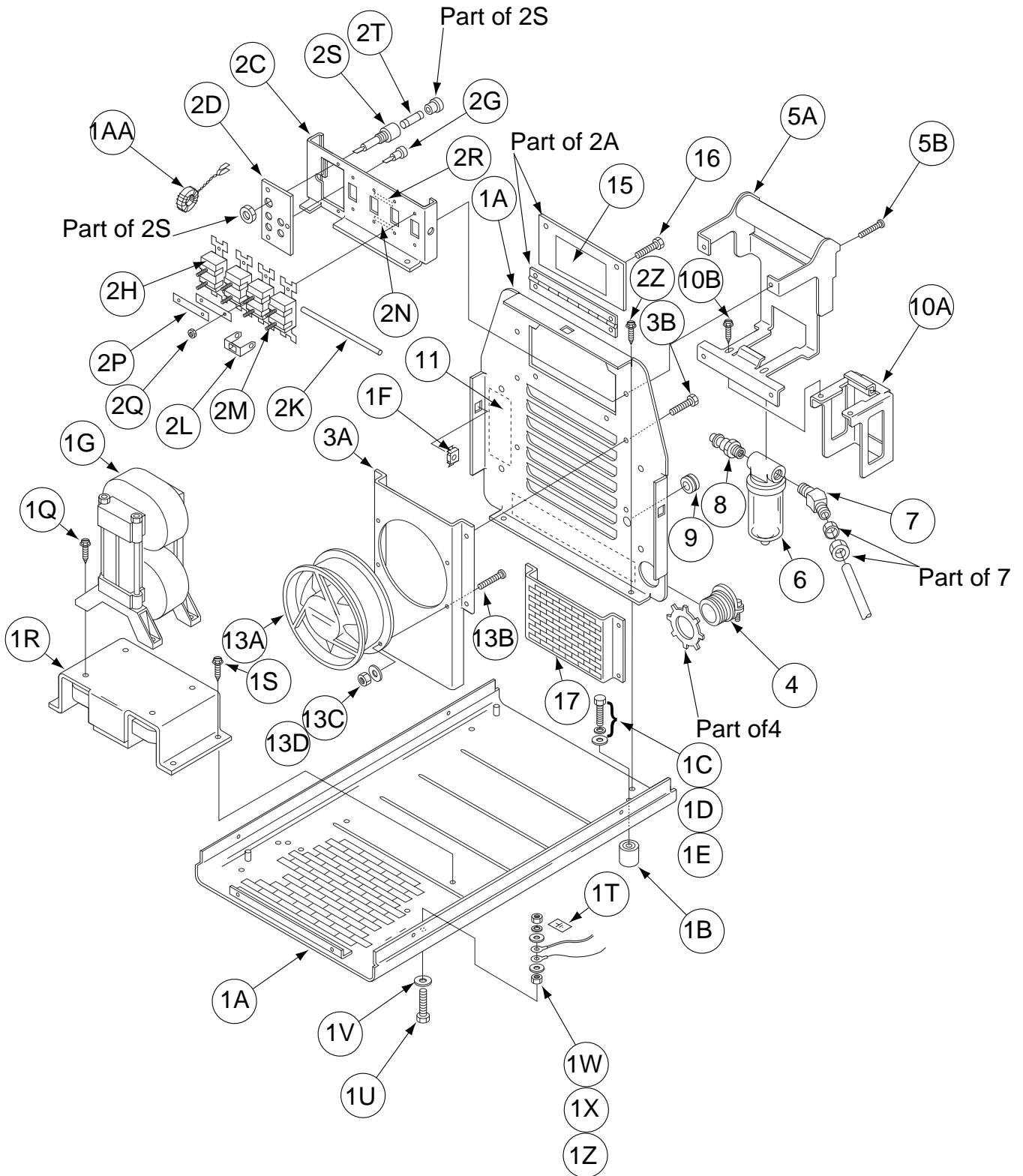
# NOTES

---

PYTHON



# Base & Case Back



# Indicates a change this printing.

Use only the parts marked "x" in the column under the heading number called for in the model index page.

Recommended Spare Parts are Highlighted in Bold

ITEM	DESCRIPTION	PART NO.	QTY.	1	2	3	4	5	6	7	8	9
1A	Case Bottom Riveted Assembly	M19072-1	1	X	X							
1B	Rubber Isolator	S20979	4	X	X							
1C	3/8-16x.75 Hex Head Cap Screw	CF000034	4	X	X							
1D	Plain Washer	S9262-120	4	X	X							
1E	Lock Washer	E106A-16	4	X	X							
1F	Nut Retainer (Not Shown)	T10097-2	4	X	X							
<b>1G</b>	<b>Main Transformer Assembly, Includes:</b>	<b>G3557</b>	<b>1</b>	<b>X</b>	<b>•</b>							
<b>1G</b>	<b>Main Transformer Assembly, Includes:</b>	<b>G3447</b>	<b>1</b>	<b>•</b>	<b>X</b>							
1Q	Thread Forming Screw	S9225-8	4	X	X							
<b>1R</b>	<b>Choke Assembly, Includes:</b>	<b>L10870</b>	<b>1</b>	<b>X</b>	<b>X</b>							
1S	Thread Forming Screw	S9225-8	4	X	X							
1T	Decal-Earth, Ground	T13260-4	1	X	X							
	Ground Screw Assembly, Includes:	S18922-4	2	X	X							
1U	Thread Forming Screw	S9225-17	1	X	X							
1V	Lock Washer	T9695-17	1	X	X							
1W	Hex Nut	CF000017	2	X	X							
1X	Plain Washer	S9262-17	2	X	X							
1Z	Lock Washer	E106A-2	1	X	X							
<b>1AA</b>	<b>Toroidal Coil</b>	<b>S18444-6</b>	<b>1</b>	<b>X</b>	<b>X</b>							
2A	Case Back Assembly, Includes:	M19073-1	1	X	X							
	Case Back	L10866	1	X	X							
	Access Door	S24181	1	X	X							
	Hinge	S21250-8	1	X	X							
	Rivet	T9701-3	4	X	X							
2C	Reconnect Bracket	M19152	1	X	X							
2D	Reconnect Panel Silkscreened	S24450	1	X	•							
2D	Reconnect Panel Silkscreened	S24382	1	•	X							
2E	Rivet (Not Shown)	T9701-4	2	X	X							
2F	Plain Washer (Not Shown)	S9262-39	2	X	X							
<b>2G</b>	<b>Receptacle</b>	<b>T14530-1</b>	<b>2</b>	<b>X</b>	<b>X</b>							
<b>2H</b>	<b>Line Switch</b>	<b>S20456</b>	<b>4</b>	<b>X</b>	<b>X</b>							
2J	#6-32x.375 Phillips Pan Head Screw (Not Shown)	CF000337	8	X	X							
2K	Switch Pin	S20322-2	1	X	•							
2K	Switch Pin	S20322-1	1	•	X							
2L	Reconnect Bus Bar	S20360	8	X	X							
2M	Carriage Bolt	T11827-46	8	X	X							
2N	Decal (440-460 V)	T13086-157	1	X	•							
2N	Decal (200-230 V)	T13086-119	1	•	X							
2P	Bus Bar	S11012-50	2	X	X							
2Q	#10-24 Hex Nut	CF000010	8	X	X							
2R	Decal (550-575V)	T13086-158	1	X	•							
2R	Decal (380-460V)	T13086-118	1	•	X							
2S	Fuse Holder	S10433-1	1	X	X							
<b>2T</b>	<b>Fuse</b>	<b>T10728-30</b>	<b>2</b>	<b>X</b>	<b>X</b>							
2U	Lead Assembly (Not Shown)	S23008	1	X	X							
2W	Plug & Lead Assembly (P11) (Not Shown)	S18250-607	1	X	•							
2X	Plug & Lead Assembly (P22) (Not Shown)	S18250-608	1	X	•							

#

#



# Indicates a change this printing.

Use only the parts marked "x" in the column under the heading number called for in the model index page.

**Recommended Spare Parts are Highlighted in Bold**

ITEM	DESCRIPTION	PART NO.	QTY.	1	2	3	4	5	6	7	8	9
2X	Plug & Lead Assembly (P22) (Not Shown)	S18250-608	1	X	•							
2Z	Self Tapping Screw	S8025-91	6	X	X							
3A	Fan Shroud	L10885	1	X	X							
3B	Thread Forming Screw	S9225-65	2	X	X							
4	Box Connector	T9639-3	1	X	X							
5A	Filter Bracket Welded Assembly	M19077-1	1	X	X							
5B	Thread Forming Screw	S9225-65	4	X	X							
<b>6</b>	<b>Air Filter, Includes: Filter Element</b>	<b>S22183 S22183-A</b>	<b>1 1</b>	<b>X X</b>	<b>X X</b>							
7	Elbow, 45°	S23007	1	X	X							
8	Pneumatic Nipple	S23044	1	X	X							
9	Grommet	S10255-5	1	X	X							
10A	Filter Guard	M18810-1	1	X	X							
10B	Self Tapping Screw	S8025-92	2	X	X							
11	Decal	T13086-86	1	X	X							
12	Nut Retainer	T10097-4	6	X	X							
<b>13A</b>	<b>Fan (Tubeaxial)</b>	<b>M19076-1</b>	<b>1</b>	<b>X</b>	<b>X</b>							
13B	#8-32x.50 Round Head Screw	CF000033	2	X	X							
13C	Int. Lock Washer	T9695-3	2	X	X							
13D	#8-32 Hex Nut	CF000042	2	X	X							
14	Warning Decal (Not Shown)	S20900-1	1	X	•							
14	Warning Decal (Not Shown)	S20900	1	•	X							
15	Connection Instruction	S24180	1	X	•							
15	Connection Instruction	S21230	1	•	X							
16	#10-24x.50 Hex Head Cap Screw	CF000371	2	X	X							
17	Louver Guard	M19111	1	X	X							
18	Rear Nameplate (Not Shown) (Code 10627)	S24462	1	X	•							
18	Rear Nameplate (Not Shown) (Code 10656)	S24357	1	•	X							



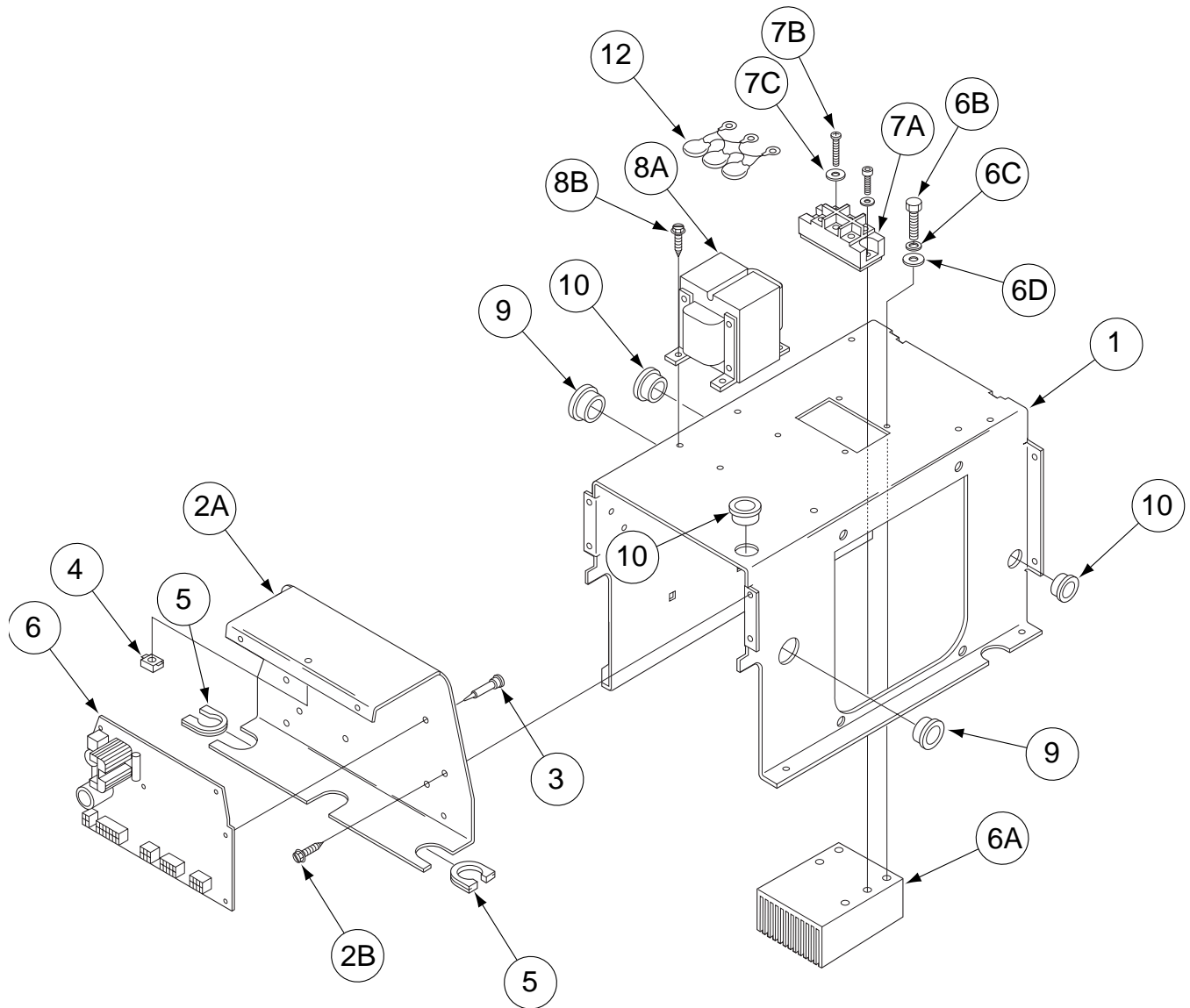
# NOTES

---

PYTHON



# Center Panel Assembly



# Indicates a change this printing.

Use only the parts marked "x" in the column under the heading number called for in the model index page.

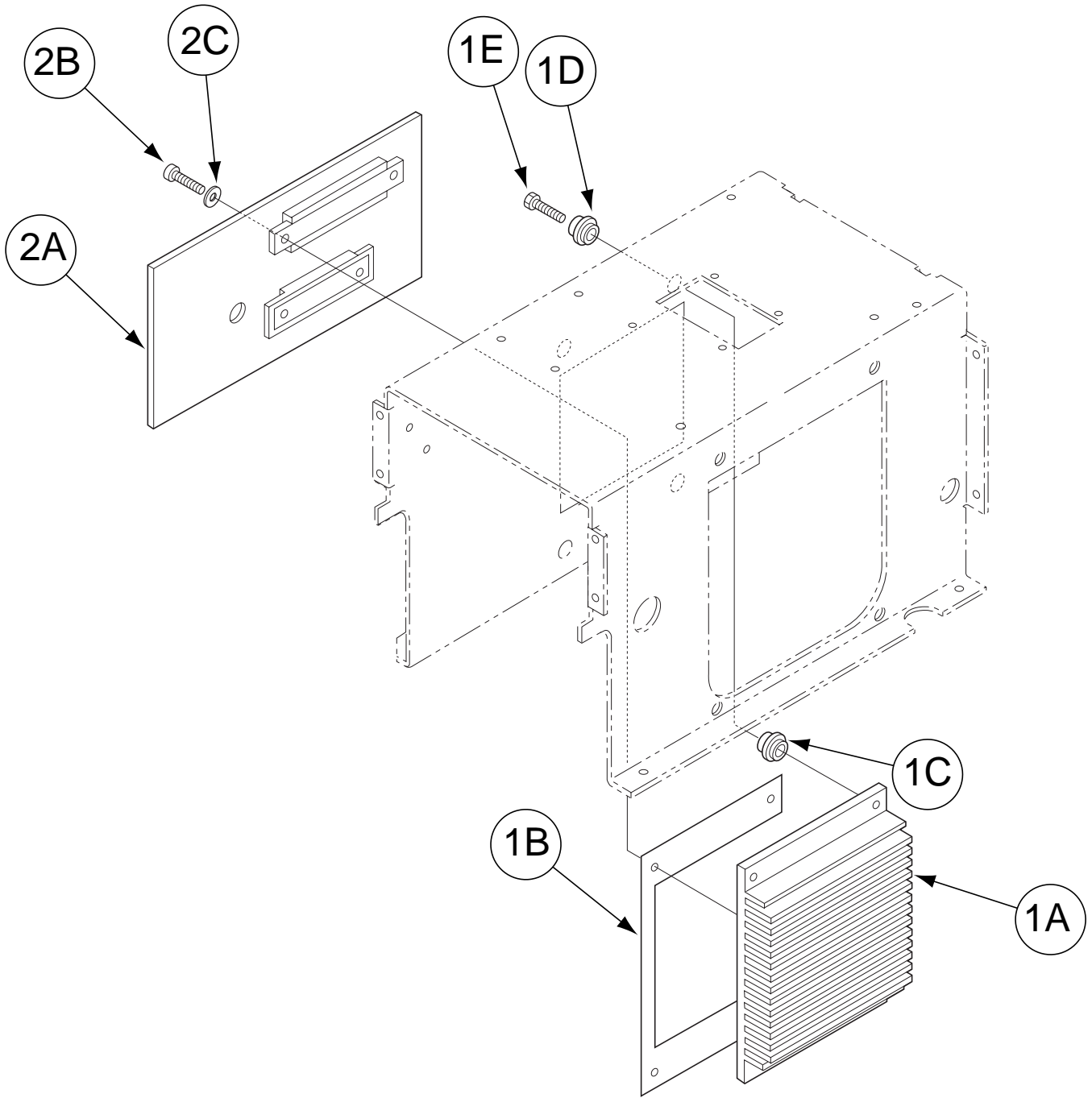
**Recommended Spare Parts are Highlighted in Bold**

ITEM	DESCRIPTION	PART NO.	QTY.	1	2	3	4	5	6	7	8	9
1	Center Panel	L10871	1	X	X							
2A	Control Box	M19078	1	X	X							
2B	Self Tapping Screw	S8025-70	4	X	X							
3	Support, PCB	S19300-2	8	X	X							
4	Nut Retainer	T10097-4	1	X	X							
5	Grommet	S18543-1	3	X	X							
<b>6</b>	<b>Control P.C. Board Assembly</b>	<b>G3559-[ ]</b>	<b>1</b>	<b>X</b>	<b>•</b>							
<b>6</b>	<b>Control P.C. Board Assembly</b>	<b>G3443-[ ]</b>	<b>1</b>	<b>•</b>	<b>X</b>							
6A	Rectifier Heat Sink	S24183	1	X	X							
6B	1/4-20 x .50 Hex Head Cap Screw	CF000012	3	X	X							
6C	Lock Washer	E106-A2	3	X	X							
6D	Plain Washer	S9262-98	3	X	X							
<b>7A</b>	<b>Diode - Bridge</b>	<b>M15454-6</b>	<b>1</b>	<b>X</b>	<b>•</b>							
<b>7A</b>	<b>Diode - Bridge</b>	<b>M15454-8</b>	<b>1</b>	<b>•</b>	<b>X</b>							
7B	Socket Head Cap Screw	T9447-10	2	X	X							
7C	Spring Washer	T12735-4	2	X	X							
<b>8A</b>	<b>Auxiliary Transformer Assembly</b>	<b>M16085-15</b>	<b>1</b>	<b>X</b>	<b>X</b>							
8B	Thread Forming Screw	S9225-30	4	X	X							
9	Grommet	T12380-4	2	X	X							
10	Grommet	T12380-8	2	X	X							
<b>11A</b>	<b>Thermostat &amp; Holder (Not Shown)</b>	<b>S24360</b>	<b>1</b>	<b>X</b>	<b>X</b>							
11B	Self Tapping Screw (Not Shown)	S8025-62	2	X	X							
<b>12</b>	<b>Mov Assembly</b>	<b>S18491-1</b>	<b>1</b>	<b>X</b>	<b>X</b>							
<b>13</b>	<b>Grommet</b>	<b>S10255-5</b>	<b>1</b>	<b>X</b>	<b>X</b>							

Note: When ordering new printed circuit boards indicate the dash number [ ] of the "Old" board that is to be replaced. This will aid Lincoln in supplying the correct and latest board along with any necessary jumpers or adapters. The dash number brackets [ ] have purposely been left blank so as to eliminate errors, confusion and updates.



# Output Board Heatsink





# Indicates a change this printing.

Use only the parts marked "x" in the column under the heading number called for in the model index page.

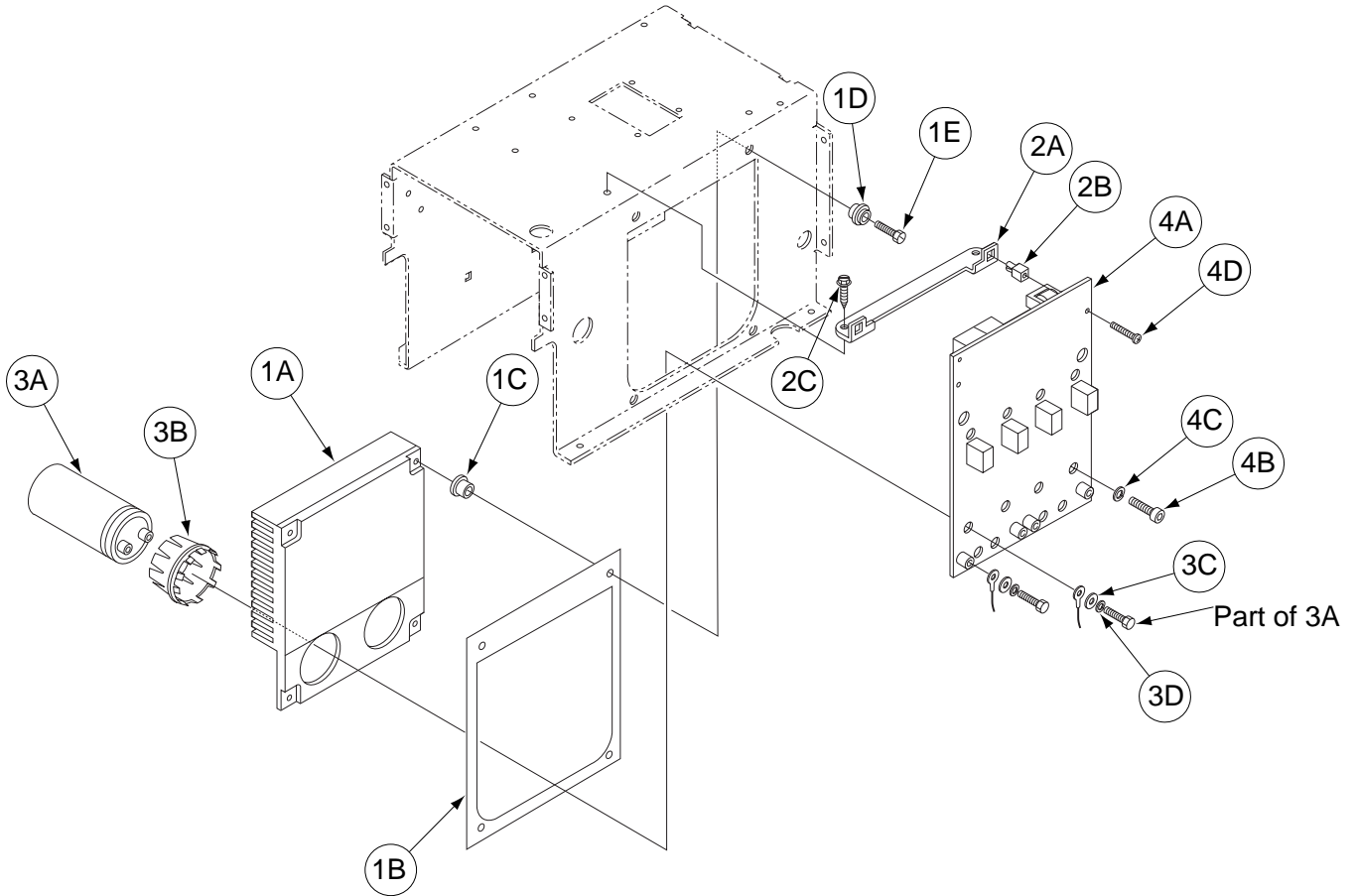
Recommended Spare Parts are Highlighted in Bold

ITEM	DESCRIPTION	PART NO.	QTY.	1	2	3	4	5	6	7	8	9
1A	Output Board Heatsink	M19075	1	X	X							
1B	Output Board Insulation	S24407	1	X	X							
1C	Insulator	T11267-A	4	X	X							
1D	Insulator	T11267-B	4	X	X							
1E	Thread Forming Screw	S9225-17	4	X	X							
<b>2A</b>	<b>Output P.C. Board Assembly</b>	<b>G3558-[ ]</b>	<b>1</b>	<b>X</b>	<b>•</b>							
<b>2A</b>	<b>Output P.C. Board Assembly</b>	<b>G3439-[ ]</b>	<b>1</b>	<b>•</b>	<b>X</b>							
2B	Socket Head Cap Screw	T9447-9	4	X	X							
2C	Lock Washer	E106A-2	4	X	X							
2D	Self Tapping Screw (Not Shown)	S8025-71	4	X	X							
2E	P.C. Board Standoff (Not Shown)	S14020-3	4	X	X							

Note: When ordering new printed circuit boards indicate the dash number [ ] of the "Old" board that is to be replaced. This will aid Lincoln in supplying the correct and latest board along with any necessary jumpers or adapters. The dash number brackets [ ] have purposely been left blank so as to eliminate errors, confusion and updates.



# Power Board Heatsink



# Indicates a change this printing.

Use only the parts marked "x" in the column under the heading number called for in the model index page.

**Recommended Spare Parts are Highlighted in Bold**

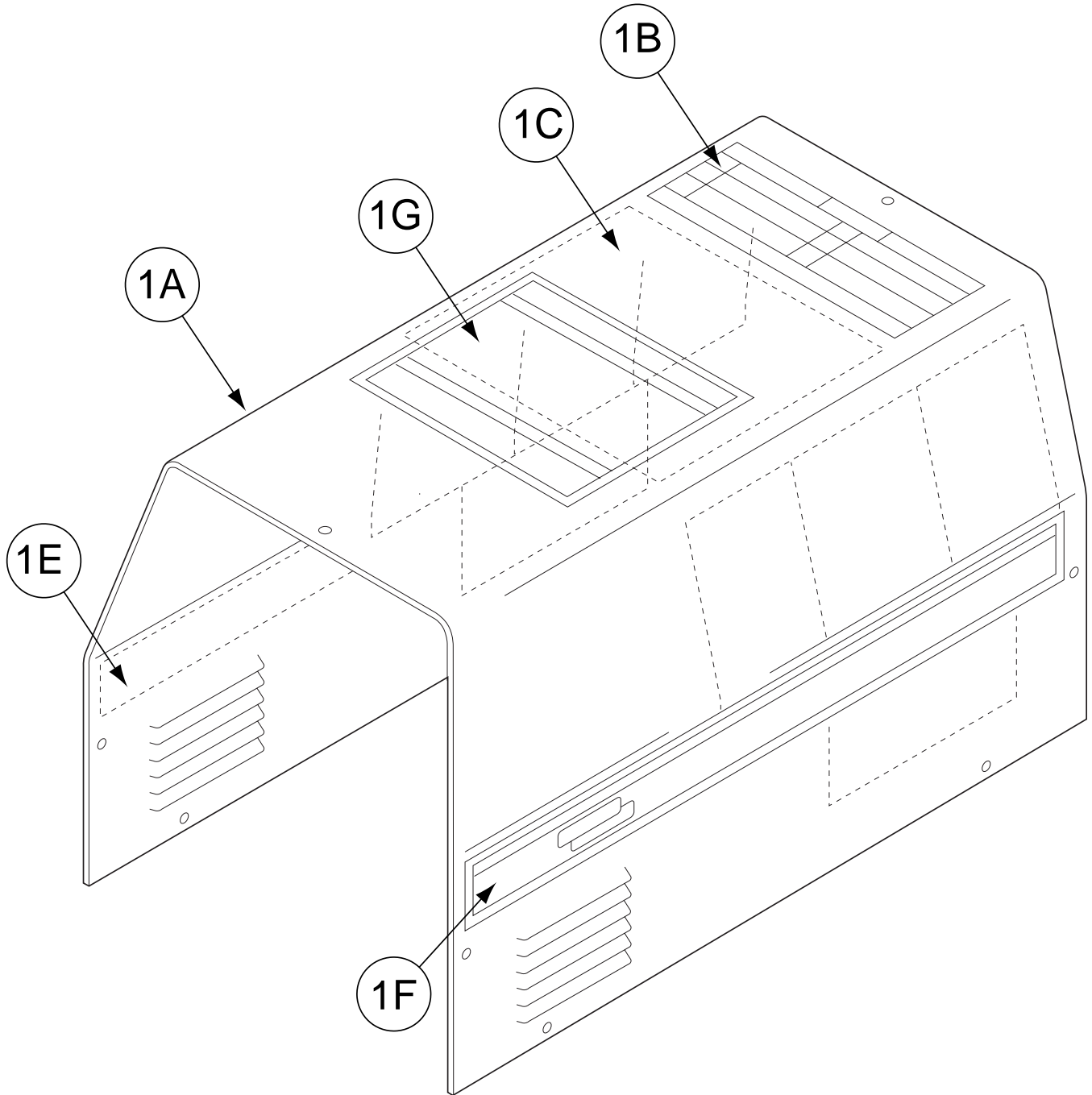
ITEM	DESCRIPTION	PART NO.	QTY.	1	2	3	4	5	6	7	8	9
1A	Power Board Heatsink	L10868	1	X	X							
1B	Power Board Insulation	M19149	1	X	X							
1C	Insulator	T11267-A	4	X	X							
1D	Insulator	T11267-B	4	X	X							
1E	Thread Forming Screw	S9225-17	4	X	X							
2A	Power Board Bracket	S24182	1	X	X							
2B	P.C. Board Standoff	S14020-3	2	X	X							
2C	Self Tapping Screw	S8025-70	2	X	X							
<b>3A</b>	<b>Capacitor</b>	<b>S13490-169</b>	<b>2</b>	<b>X</b>	<b>•</b>							
<b>3A</b>	<b>Capacitor</b>	<b>S13490-166</b>	<b>2</b>	<b>•</b>	<b>X</b>							
3B	Capacitor Bracket	M19144	2	X	X							
3C	Plain Washer	S9262-23	8	X	X							
3D	Lock Washer	E106A-2	4	X	X							
<b>4A</b>	<b>Power P.C. Board Assembly</b>	<b>G3579-[ ]</b>	<b>1</b>	<b>X</b>	<b>•</b>							
<b>4A</b>	<b>Power P.C. Board Assembly</b>	<b>G3440-[ ]</b>	<b>1</b>	<b>•</b>	<b>X</b>							
4B	Socket Head Cap Screw	T9447-9	8	X	X							
4C	Lock Washer	E106A-2	8	X	X							
4D	Self Tapping Screw	S8025-71	2	X	X							

#

Note: When ordering new printed circuit boards indicate the dash number [ ] of the "Old" board that is to be replaced. This will aid Lincoln in supplying the correct and latest board along with any necessary jumpers or adapters. The dash number brackets [ ] have purposely been left blank so as to eliminate errors, confusion and updates.



# Wraparound Assembly



# Indicates a change this printing.

Use only the parts marked "x" in the column under the heading number called for in the model index page.

Recommended Spare Parts are Highlighted in Bold

ITEM	DESCRIPTION	PART NO.	QTY.	1	2	3	4	5	6	7	8	9
1A	Wraparound	L11061	1	X	X							
1B	Warning Decal	S19720	1	X	X							
1C	Wiring Diagram	L11031	1	X	•							
1C	Wiring Diagram	L10936	1	•	X							
1E	Side Decal (Left)	L11035	1	X	X							
1F	Side Decal (Right)	L11035	1	X	X							
1G	Operation Decal	M19126	1	X	X							



# NOTES

---

PYTHON

