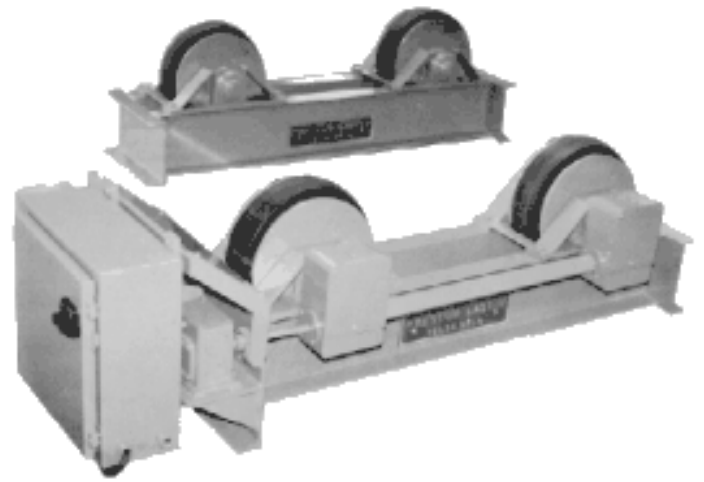
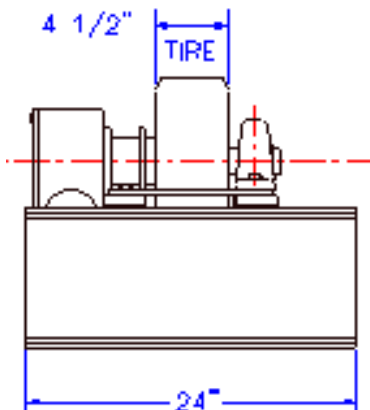
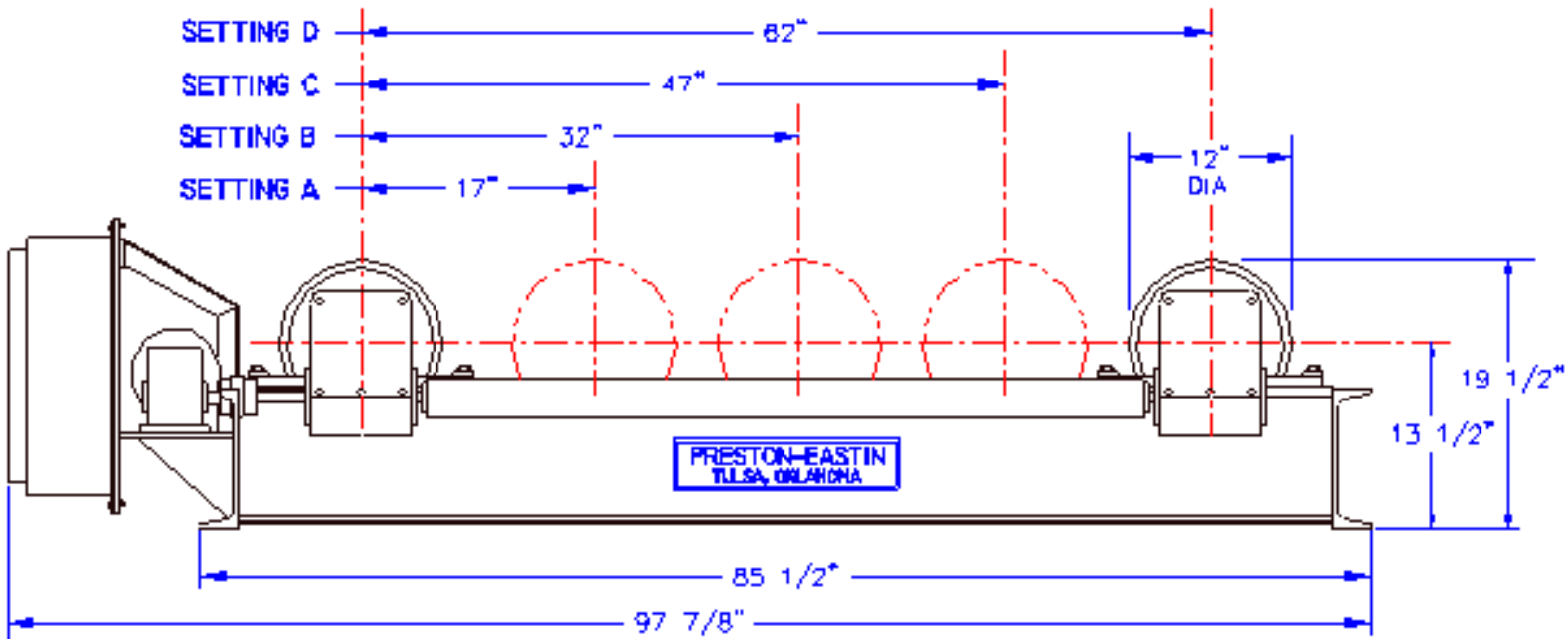


MODEL TDRA-5 HD DRIVER
MODEL TIRA-5 HD IDLER



SPECIFICATIONS

- WEIGHT CAPACITY : 5 Tons (Per Driver/Idler Combination)
- TURNING CAPACITY : 15,000 Pounds
- TRACTIVE PULL : 2,000 Pounds
- DIAMETER RANGE : 6" Thru 13'0" Diameter
- SPEED RANGE : 1.2 to 46 IPM
- MOTOR SIZE : 1/2 Horsepower DC
- WHEEL DIAMETER : 12" Diameter Rubber
- WHEEL FACE : 4.5" Wide Rubber



DIAMETER RANGES

SETTING	MINIMUM DIAMETER	MAXIMUM DIAMETER
A	6"	36"
B	30"	6'-0"
C	5'-6"	10'-0"
D	9'-0"	13'-0"