

BOTX™ Welder

The Collaborative Robotic Welder
Rent, Lease, Purchase



Red-D-Arc
Welderentals.
an Airgas company

Airgas.
an Air Liquide company

THE BOTX WELDING COBOT

THE AFFORDABLE COBOTIC WELDING SYSTEM

BotX addresses the skilled labor shortage by enabling companies to acquire easy-to-use automated welding through short or long-term rental, lease or purchase programs. The innovative on-demand model allows customers to quickly scale up - or down - their production capacity to align with current business needs, with no capital investment.

- Zero up-front investment
- Pay a flat weekly-rate
- Set-up and training are included
- No long-term commitment with our rental program
- Full implementation support
- Ongoing virtual support through the included app

DOLLARS AND SENSE

With our “try before you commit” rental and lease options, the BotX can increase profitability by eliminating your capital costs while maximizing your welding productivity, unlike traditional purchase-only acquisition models.

TAKING CARE OF BIDNESS

Since the BotX enables you to scale up your weld production capacity on-demand, you can bid on jobs that were previously beyond your reach. The ability to quickly scale-up your production capacity can help you compete for larger projects, with confidence that you can deliver on time.

UP AND RUNNING IN HOURS, NOT DAYS

Installation and training are performed by Red-D-Arc Weld Automation Specialists and takes hours, not days. We'll be with you every step of the way and help you address the challenges of your specific application.

BOTX
Welder





CLOUD CONNECTED

Cloud connectivity offers you continuous real-time monitoring, 24/7 support, welding and production data, as well as instant automatic access to software enhancements and new welding parameter libraries.

COMPLETE PACKAGE

The BotX Welding Cobot includes a UR10e collaborative robotic arm, 350 or 450 amp pulse GMAW welding power source and a wire feeder with robotic GMAW torch, all integrated on a 4' x 4' or 4' x 8' welding table. A 4' x 2'- 6" mobile table is also available.

The BotX is controlled via simple to use menus within the Beacon app, which is compatible with Web, iOS and Android devices.



EASE OF USE

BotX delivers a simple to use solution for automating your welding operations. The Beacon app offers a searchable weld parameter library to get you welding quickly and efficiently. Simply teach the arm, as you would to manually weld your part, and press play.

24/7 SERVICE AND SUPPORT

The majority of customer issues can be resolved virtually in real-time, keeping you productive. Need help figuring out how to do something with your BotX? Send our team a message through the app and get a response within minutes.



THE BOTX ADVANTAGE

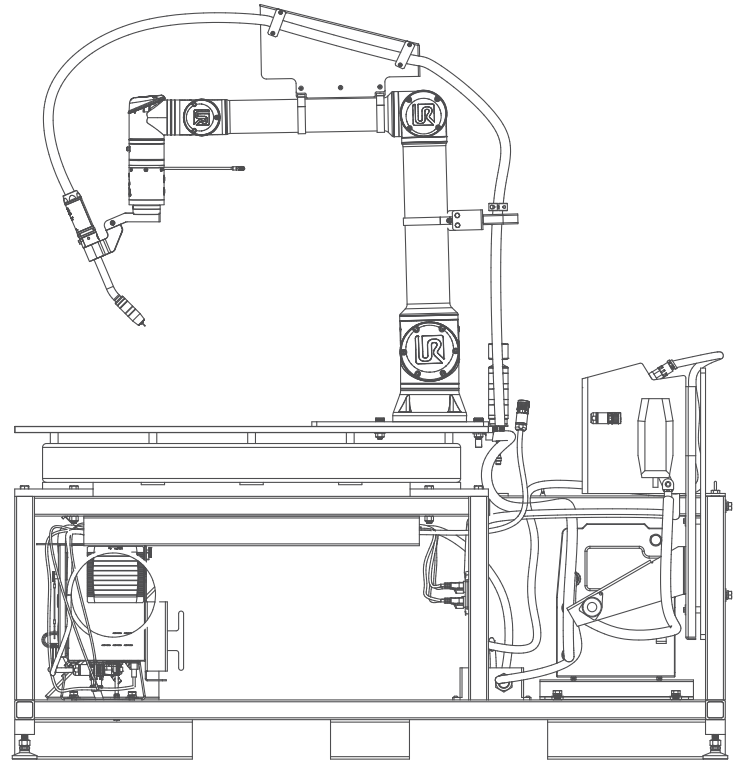
- Innovative on-demand model - align operations with current business needs
- Easy to use cobotic welding system - weld complex parts in minutes
- Real-time monitoring, production and quality data, automatic system enhancements
- 24/7 support through the Beacon app
- RIA TR 15.606-2016 compliant



BotXWelder.com

SYSTEM COMPONENTS

- Table options: 4' x 4' or 4' x 8' fixed position or 4' x 2'- 6" mobile cart
- Universal Robots UR10e
- Welding torch and mounting assembly
- Torch lead and cable support arm
- XMT 350, EX360 MAP or 450 MPa welder
- Miller S74 MPa Plus cobotic wire feeder
- Two-button "smart puck"
- Two, color touch buttons for user input
- Real-time dashboards and charts
- 66 piece starter tooling kit
- 24/7 support
- Beacon software with ongoing virtual support
- Onsite install and training included with rental and lease options
- Specifications and components are subject to change



WEEKLY RENTAL

Try the BotX before you commit to a lease or purchase

Convert your weekly rental to a 36-month plan at any time

4 week minimum rental*

36 MONTH LEASE

Conserve your capital and let the BotX pay for itself

Onsite installation and training are included in rental and lease packages

PURCHASE

Installation and training costs are additional

*8 week rental is recommended to ensure operators are comfortable and productive with the unit before deciding to continue.

For more information call 1-866-620-7737 or visit BotXWelder.com

